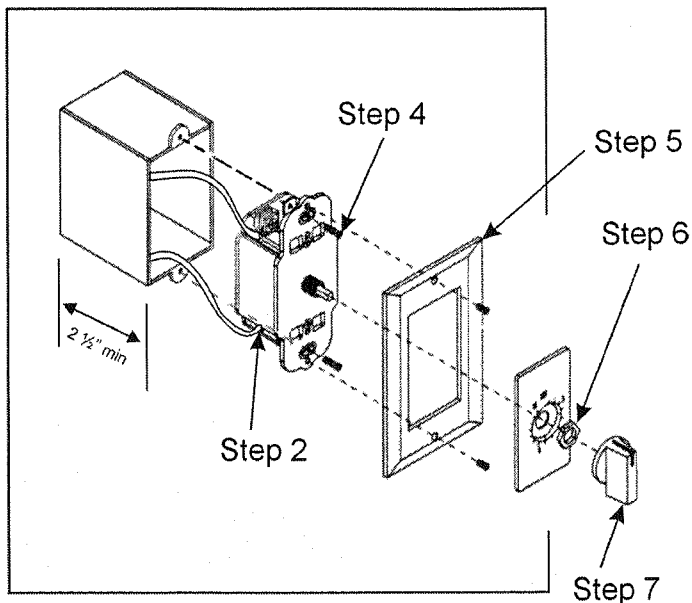
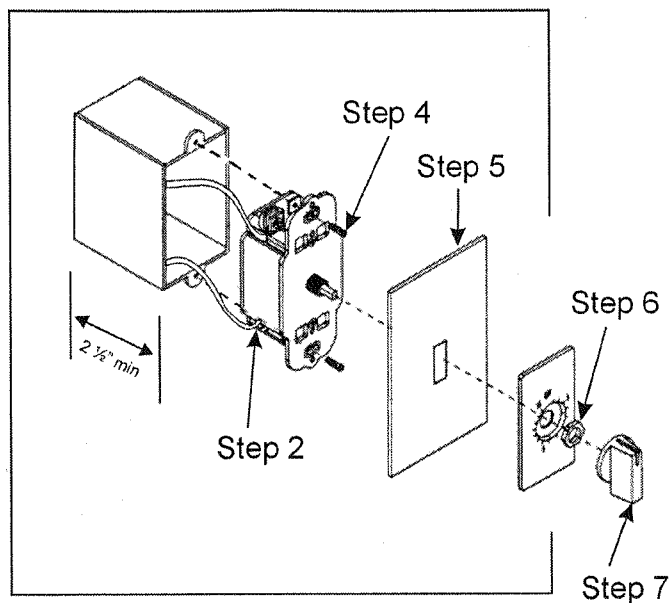


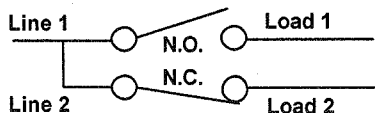
WALL BOX TIME SWITCH 93 SERIES



Decorator Wall Plate and Dial Mounting



Toggle Switch Plate and Dial Mounting



To set up timer for S.P.D.T. operation, install a jumper wire from the Line 1 terminal to the Line 2 terminal as shown in diagram.

INSTALLATION INSTRUCTIONS

1. Turn power OFF at circuit breaker or fuse panel.
2. Attach wires to terminals with terminal screws provided, and screw down tightly.
3. Insert wired timer into a 2 1/2" (min) deep wall box with "TOP" (indicated on front cover) in proper position.
4. Fasten to wall box using two screws provided.
5. Fasten the wall plate to the timer using the two (2) screws supplied with the plate. The screws must be self-tapped into the timer body and will require a gentle inward pressure while firmly turning the screw.
6. Position small plastic timer dial so that "OFF" is in the up position. Install the hex nut and tighten.
7. Push knob onto timer shaft, handle facing down. Restore power.

1. Turn power OFF at circuit breaker or fuse panel.
2. Attach wires to terminals with terminal screws provided, and screw down tightly.
3. Insert wired timer into a 2 1/2" (min) deep wall box with "TOP" (indicated on front cover) in proper position.
4. Fasten to wall box using two screws provided.
5. Position switch plate onto timer shaft.
6. Position small plastic dial so that "OFF" is in the up position. Install hex nut and tighten.
7. Push knob onto timer shaft, handle facing down. Restore power.