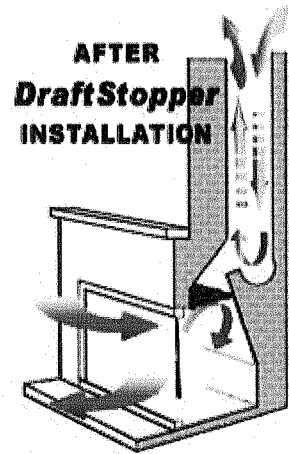
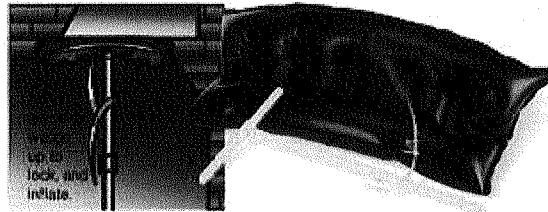
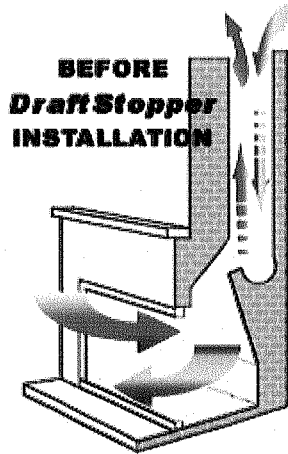


A recent scientific study discovered that 30% of your heat can leak out of an open unlit fireplace!



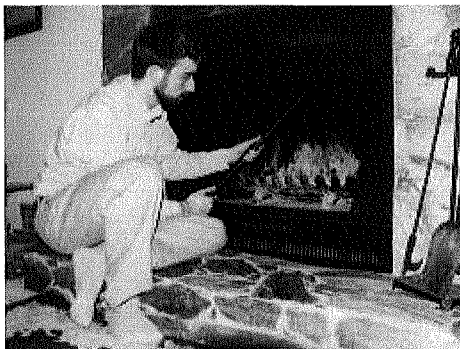
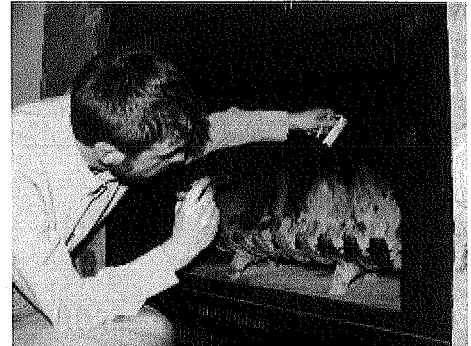
The Fireplace Draftstopper comes in 2 sizes - *large* to fit any masonry fireplace, or *small* to fit any zero-clearance fireplace. The Draftstopper is designed to seal the fireplace & reduce heat loss, downdrafts, toxins, odors & noise.

EASY 3 STEP INSTALLATION



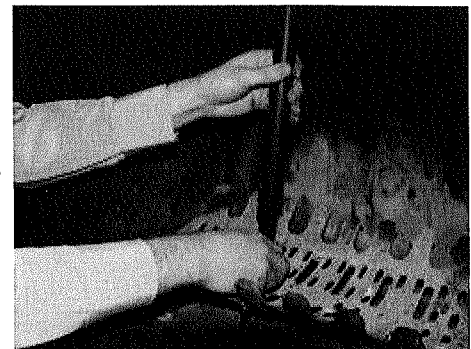
1

Check the walls of the firebox to be sure there are no metal protrusions or rough masonry surfaces that could damage the DraftStopper.

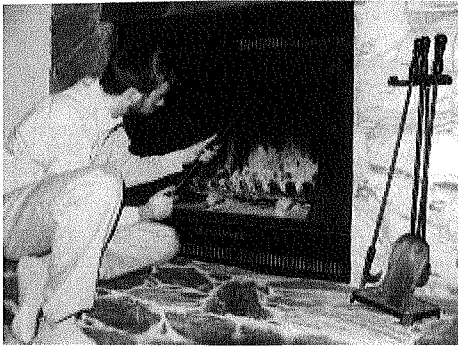


2

Place the tip of the DraftStopper tee onto the floor of your firebox and extend until it reaches 1" below the damper. Look in to ensure proper length.



**Davis
DraftStopper™**
THE INFLATABLE, REUSEABLE FIREPLACE SEAL



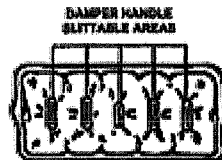
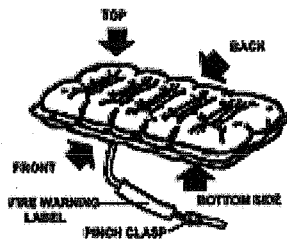
3

Place your DraftStopper onto the tee and partially inflate. Place it into position below the damper, and complete inflation.

If your DraftStopper is too small on the ends (0.5% will be), fill the gap with foam rubber for a better seal.

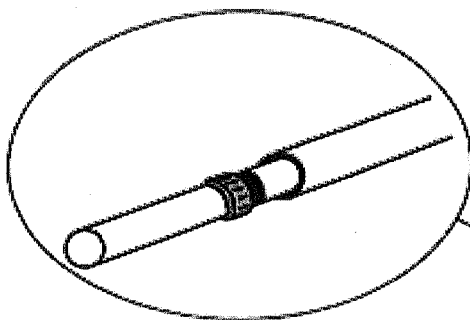


Davis DraftStopper™

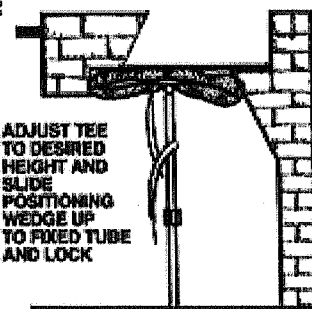
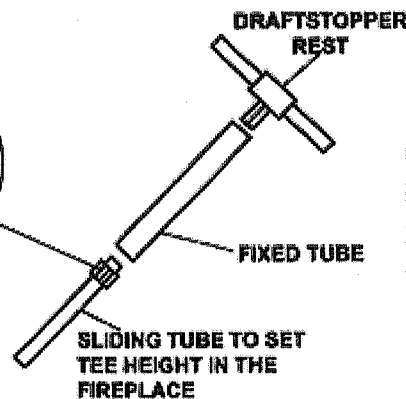


DraftStopper™ TEE

The Tee device is used to provide a quick and clean installation of the Draftstopper. Because the firebox heights vary, the Tee is adjustable and has a locking positioning wedge to allow the Tee to fit your firebox. If the Tee is too long for your firebox, cut the sliding tube with a saw to desirable height.



LOCKING POSITIONING WEDGE



DRAFTSTOPPER INSTALLED

Davis
DraftStopper™
THE INFLATABLE, REUSEABLE FIREPLACE SEAL