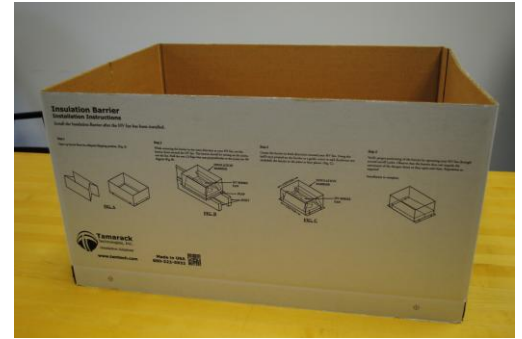
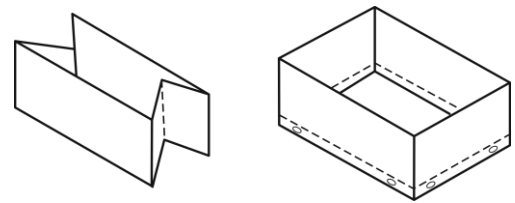


Insulation Barrier INSTALLATION GUIDE

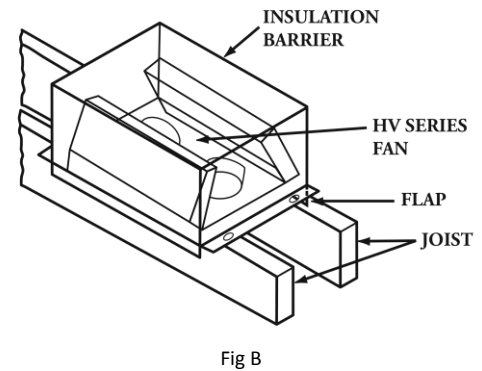
Install the Insulation Barrier after the HV fan has been installed.



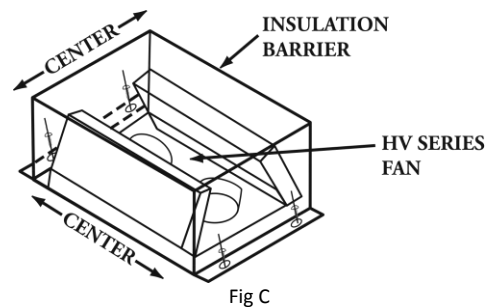
Step 1
Open up barrier from its collapsed shipping position. (Fig A)



Step 2
While orientating the barrier in the same direction as your HV fan, set the barrier down around the HV fan. The barrier should be resting on the joists, not the fan. Fold the two (2) flaps that run perpendicular to the joists out 90 degrees. (Fig B)



Step 3
Center the barrier in both directions around your HV fan. Using the bull's-eyes printed on the barrier as a guide, screw or nail (hardware not included) the barrier to the joists in four places. (Fig C)



Step 4
Verify proper positioning of the barrier by operating your HV fan through several on/off cycles. Observe that the barrier does not impede the movement of the damper doors as they open and close. Reposition as required.



320 Main Street / Buzzards Bay, MA 02532
508-759-4660 / 800-222-5932 / Fax 508-759-6001