

The DRAGON



Centrifugal Garage Fan
Dragon Models 150 & 200

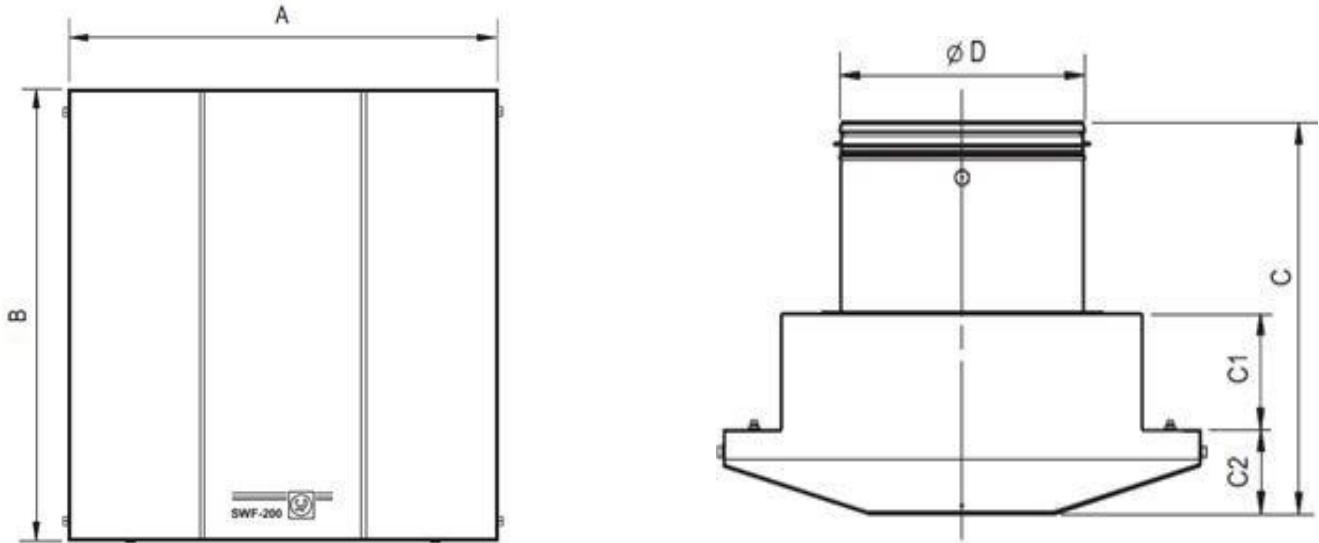


Product Manual & Installation Guide

READ AND SAVE THESE INSTRUCTIONS

Date of Purchase: _____ Place of Purchase: _____

Dimensional Data



Models	A	B	C	C1	C2	D
DR150	13-1/4"	13-1/4"	10-1/4"	3-3/16"	2-7/16"	6"
DR200	15-9/16"	16-1/16"	11-7/16"	3-7/16"	2-7/16"	8"

Fan Installation

WARNING: TO REDUCE THE RISK OF FIRE, ELECTRIC SHOCK, OR INJURY, OBSERVE THE FOLLOWING:

- (a) Use this unit only in the manner intended by the manufacturer. If you have any questions, contact the manufacturer.
- (b) Before servicing or cleaning the unit, switch the power off at the service panel and lock the service disconnecting means to prevent power from being switched on accidentally. When the service disconnecting means cannot be locked; securely fasten a prominent warning device such as a tag to the service panel.
- (c) Installation work and electrical wiring must be done by qualified person(s) in accordance with all applicable codes & standards including related construction.
- (d) When cutting or drilling into a wall or roof, do not damage electrical wiring and other hidden utilities.
- (e) **CAUTION:** For General Ventilating Use Only. Do Not Use to Exhaust Hazardous or Explosive Materials and Vapors.
- (f) DO NOT USE with heated air in excess 140°F (60°C).

Select Fan Location

When selecting a location to install the Dragon fan, take into consideration the application of the product, the locations of fresh air intake, and sound generated by the Dragon unit. If ductwork is to be used, consider the path of the ducting material.

The fan should be located a minimum of six feet horizontally and eight feet vertically from any fresh air intakes for an HVAC system, heat recovery systems, etc. to prevent exhaust air streams from being re-introduced into the occupied space. Doors or windows that are frequently opened during pleasant seasons may also be considered fresh air intakes so keep this in mind when selecting the location of the Dragon.

Locate Mounting and Through Holes

Once the location on the exterior wall where the fan is to be mounted has been selected, mark all screw and hole locations utilizing the included template. Cut the holes through the wall for the duct connection and for the electrical conduit. Measure the thickness of the wall and the length of the duct flange that is part of the Dragon fan. Cut the length of duct (not supplied) so that once connected to the duct flange, it will eliminate air leakage into the wall cavity. Attach the grille or fan guard (not supplied) to prevent objects from entering ductwork and fan.

If mounting the fan on a masonry wall, drill four holes and insert wall anchors. If mounting to a wooden structure, you will utilize wood screws to secure the Dragon to the wall. If the fan is to be mounted on a wall surface which is not flush such as lapped siding, a mounting plate to provide for a flush fit needs to be made.

Mount the Fan

Insert electrical supply through the wall. Attach the duct extension to the Dragon making sure that the connection is secure. Apply a generous amount of exterior silicone caulk (not supplied) to backplate of the fan to ensure an airtight/waterproof connection between the fan and the wall surface. If a mounting frame is used in conjunction with lapped siding, be certain to apply a generous amount of caulk between the frame and the wall as well as the fan backplate and the frame. Mount the fan of the wall.

Note: Be certain to make an airtight seal around all interior wall penetrations before attaching the duct work.

Maintenance Instructions

1. Since the fan bearings are sealed and provided with an internal lubricating material, no additional lubrication is necessary.
2. It is recommended that the cover screen is checked on a regular basis to check for any obstructions and the cover is removed and the motor and wheel are inspected and cleaned as necessary.

Electrical Connection

All Dragon series fans operate from a standard 120V 60Hz AC electrical supply. All wiring must be carried out in accordance with applicable state and local building codes.

Note: A licensed electrician may be needed. If unsure, consult with your local electrical inspector.

Wiring Instructions

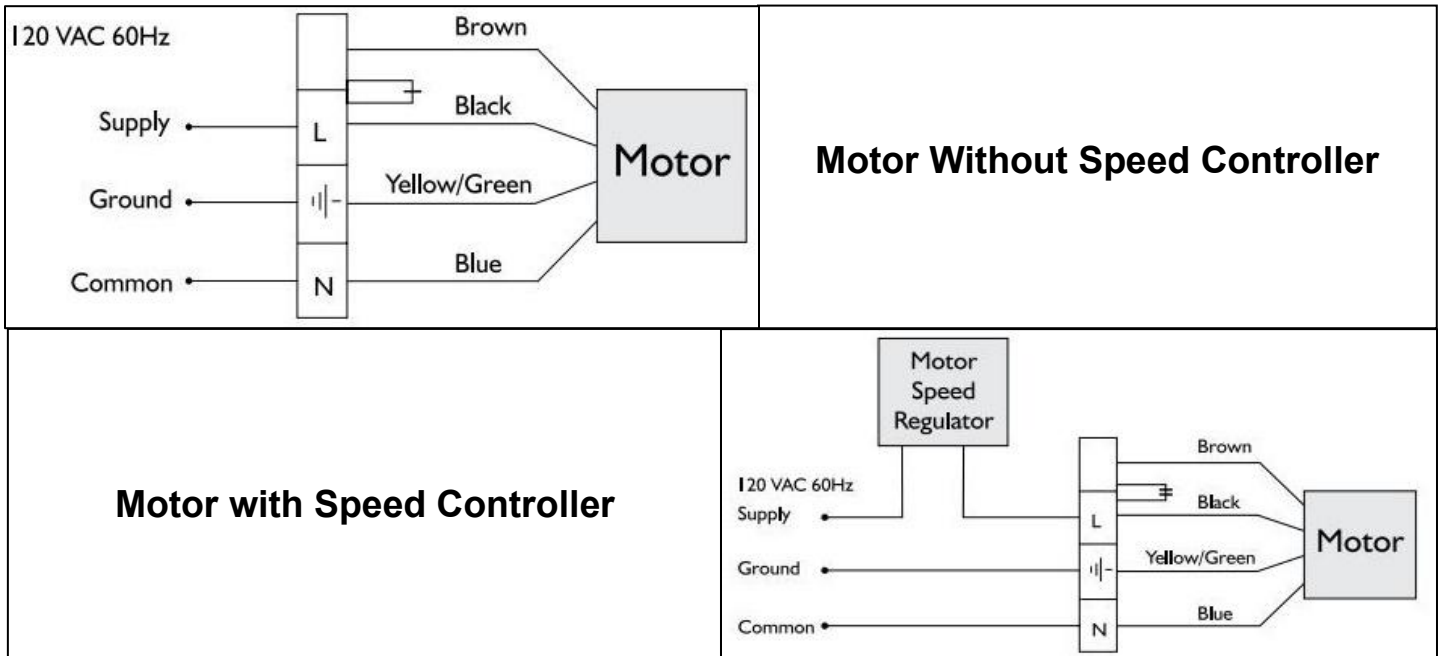
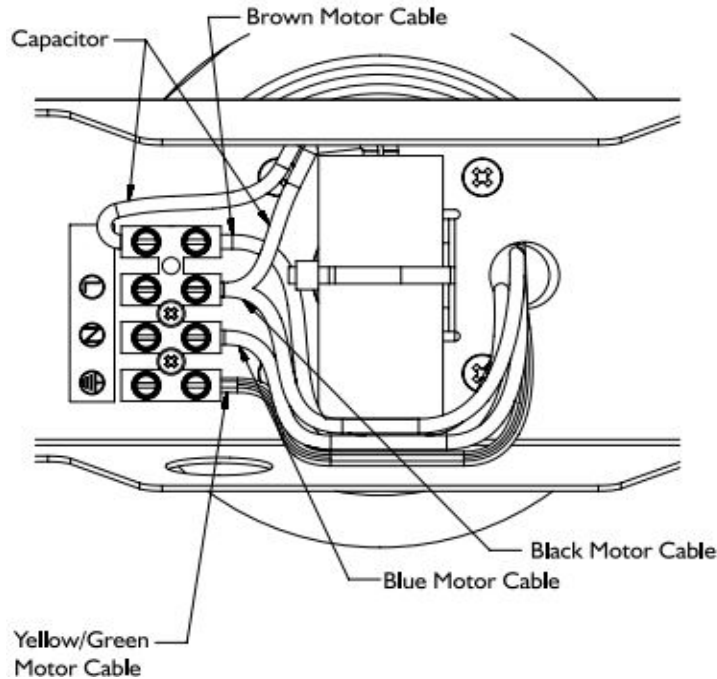
WARNING! Make sure that power supply is disconnected and locked to prevent accidental activation.

1. Remove the screws securing the terminal box cover plate located on the fan motor mounting bracket. All fan motor and capacitor connections are pre-wired to the electrical terminal strip. A 3/8" romex type cable restraint connector will be needed to secure the wiring through the knockout provided on the side of the terminal box.
2. Bring incoming electrical service through the romex connector and the fan electrical service opening. Using a small regular screwdriver, tighten the neutral (white) wire of the incoming 115V power supply under the open terminal strip port opposing the motor blue wire. Now, secure the source ground to the open terminal strip opposing the Green/Yellow wire.
3. Secure the romex connector to the terminal box. Secure the incoming supply using the romex connector. Replace the fan terminal box cover.
4. Apply a generous bead of silicone caulk around the electrical provision hole in the backplate of the fan to provide a secure seal.

Controls

The Dragon can be controlled by several methods. A standard SPST wall switch or 2, 3-way “hallway” switches. There are many wall mounted crank timers with 2, 4, or 6 hours setting available. Some automatic garage door openers will allow the Dragon to operate for a present interval after the door opens or closes. Check with the manufacturer of your door opener about these options.

Wiring Diagrams



Limited Warranty

If, within the period of three years from the date of purchase, the Dragon (the Product) is defective or malfunctions in normal home use, Tamarack Technologies, Inc. will repair or replace the Product at its discretion without charge for labor or materials. Customer is responsible for shipping charges.

CONDITIONS, EXCLUSIONS, AND LIMITATIONS – THIS WARRANTY IS SUBJECT TO THE FOLLOWING CONDITIONS, EXCLUSIONS, AND LIMITATIONS:

THIS WARRANTY DOES NOT COVER PROBLEMS RESULTING FROM INSTALLATION, OPERATION OR MAINTENANCE THAT HAS BEEN UNDERTAKEN OTHER THAN IN ACCORDANCE WITH THE INSTRUCTIONS. THIS WARRANTY DOES NOT COVER PROBLEMS RESULTING FROM DEFECTS IN OR CAUSED BY ASSOCIATED EQUIPMENT (FURNACES, SOLARIA, ETC.); FROM REPAIRS OR MODIFICATIONS ATTEMPTED BY PERSONS OTHER THAN TAMARACK TECHNOLOGIES, INC.; FROM ABUSE, ACCIDENTAL OR SHIPPING DAMAGE OR ACTS OF GOD. THIS WARRANTY DOES NOT APPLY TO THE PRODUCT USED OUTSIDE THE UNITED STATES, ITS TERRITORIAL POSSESSIONS, AND CANADA. EXCEPT AS SET FORTH ABOVE, NO EXPRESS OR IMPLIED WARRANTY IS GIVEN OR AUTHORIZED BY TAMARACK TECHNOLOGIES, INC. AND ALL OTHER SUCH WARRANTIES ARE EXPRESSLY DISCLAIMED. ANY WARRANTY OR MERCHANTABILITY OF FITNESS FOR ANY PARTICULAR PURPOSE SHALL BE LIMITED TO THE WARRANTY HEREUNDER. MOREOVER, ANY LIABILITY OF TAMARACK TECHNOLOGIES, INC. FOR THE PRODUCT SHALL BE LIMITED TO THE REPLACEMENT VALUE OF THE PRODUCT. IN NO EVENT SHALL TAMARACK TECHNOLOGIES, INC. BE LIABLE FOR ANY CONSEQUENTIAL PROPERTY OR COMMERCIAL DAMAGES, IRRESPECTIVE OF THE CAUSE THEREOF, OCCURRING EITHER DURING OR AFTER THE WARRANTY PERIOD, INCLUDING WITHOUT LIMITATION ANY DAMAGES TO ANY PART OF A BUILDING OR ITS CONTENTS.

NOTE: SOME STATES DO NOT ALLOW THE EXCLUSION OR LIMITATION OF INCIDENTAL OR CONSEQUENTIAL DAMAGES AND SOME STATES DO NOT ALLOW LIMITATIONS ON HOW LONG AN IMPLIED WARRANTY LASTS, SO THE ABOVE LIMITATIONS OR EXCLUSIONS MAY NOT APPLY TO YOU. THIS WARRANTY GIVES YOU SPECIFIC LEGAL RIGHTS AND YOU MAY ALSO HAVE OTHER RIGHTS THAT VARY FROM STATE TO STATE.