

ES160E

ENERGY RECOVERY VENTILATOR

SPECIFICATIONS

Internal

Balancing: Differential pressure ports on doors allow air measurements without flow grid in ductwork.

Speed Adjustment: Independent speed adjustment of either supply or exhaust motor in BOTH high and low speed.

Blower: Two backward curve impellers using variable 2 speed PSC motors and permanently sealed bearings. Low speed is 40% of high speed.

Electrical: 120V 60 Hz., 1.0 amps.

Core: Enthalpy cross-flow heat exchange core.

Air Filter: Cleanable, polyester air filters included. MERV 13 filters available separately.

Installation

Housing: Insulated, white enamel finished aluminum.
Overall dimensions: 18"H x 13"D x 29"W.

Duct Collars: 6" round collar adapters.

Unit Mounting: Adjustable strap mounting system.

Test Port: Differential pressure measuring ports on all unit doors.

Shipping

Shipping Weight: 30.0 lbs. **Carton:** 15.5"H x 32.25"D x 20.25"W.



Additional Features

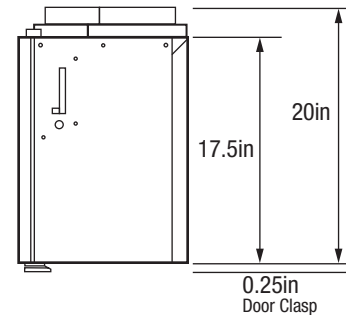
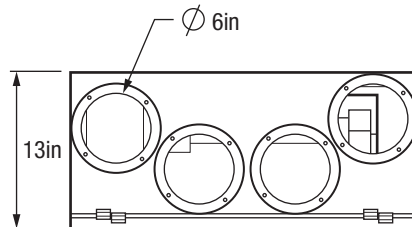
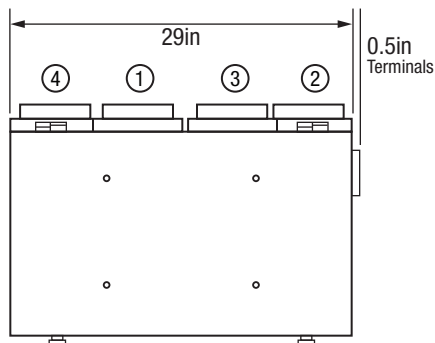
- Intelligent Defrost: duration and interval adjust to outdoor conditions below 23° F.
- In defrost and recirculation modes, this unit will not induce indoor negative pressure nor recycle exhaust air; rather, it will redistribute ambient room air.
- HVAC interlock options: commands HVAC blower when ERV is on or only on high speed.
- 24 V circuit protection with self resetting fuse.
- Hanger kit featuring buckle-fitted adjustable poly straps.

VENTILATION PERFORMANCE

Ext. Static Pressure In Wg	Net Supply Airflow In CFM	Gross Air Flow	
		Supply CFM	Exhaust CFM
0.1	153	159	153
0.2	140	146	144
0.3	127	131	131
0.4	112	117	121
0.5	97	102	108
0.6	81	85	97
0.7	61	64	89

ENERGY PERFORMANCE

Temp Mode	Supply Temp. °F	Net Airflow CFM	Power (Watts)	SRE	ASRE	Latent Recovery/Moister Transfer
Heating	+32	30	60	74%	80%	0.74
Heating	+32	54	100	68%	74%	0.70
Cooling	95	31	60			0.45



Port Designations

1	Outside Air / Fresh Air From Outside
2	Supply Air / Fresh Air to Space
3	Return Air / Exhaust Air From Space
4	Exhaust Air / Exhaust Air to Outside

Distributed by:

TAMARACK
Ventilation

800 222-5932
www.tamtect.com



Updated 3-21 • Specifications subject to change without notice.

nu-air

Windsor, Nova Scotia B0N 2T0
Tel: 800-565-2611
nu-airventilation.com