

# ES160H

HEAT RECOVERY VENTILATOR

SPECIFICATIONS

## Internal

**Balancing:** Differential pressure ports on doors allow air measurements without flow grid in ductwork.

**Speed Adjustment:** Independent speed adjustment of either supply or exhaust motor in BOTH high and low speed.

**Blower:** Two backward curve impellers using variable 2 speed PSC motors and permanently sealed bearings. Low speed is 40% of high speed.

**Electrical:** 120V 60 Hz., 1.0 amps.

**Core:** Polypropylene cross-flow heat exchange core.

**Air Filter:** Cleanable, polyester air filters included. MERV 13 filters available separately.

## Installation

**Housing:** Insulated, white enamel finished aluminum.  
Overall dimensions: 18"H x 13"D x 29"W.

**Duct Collars:** 6" round collar adapters.

**Unit Mounting:** Adjustable strap mounting system.

**Test Port:** Differential pressure measuring ports on all unit doors.

## Shipping

**Shipping Weight:** 30.0 lbs. **Carton:** 15.5"H x 32.25"D x 20.25"W.

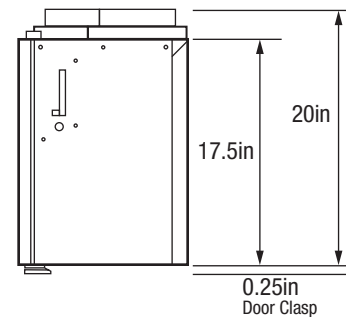
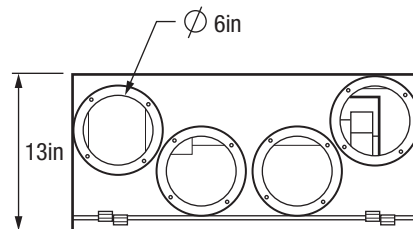
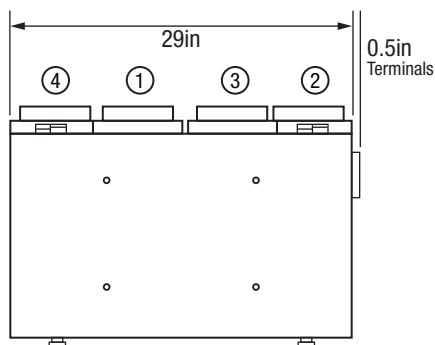


## Additional Features

- Intelligent Defrost: duration and interval adjust to outdoor conditions below 23° F.
- In defrost and recirculation modes, this unit will not induce indoor negative pressure nor recycle exhaust air; rather, it will redistribute ambient room air.
- HVAC interlock options: commands HVAC blower when HRV is on or only on high speed.
- 24 V circuit protection with self resetting fuse.
- Drain and hanger kit featuring buckle-fitted adjustable poly straps included.

VENTILATION PERFORMANCE			
Ext. Static Pressure In Wg	Net Supply Airflow In CFM	Gross Air Flow	
		Supply CFM	Exhaust CFM
0.1	176	176	216
0.2	161	163	199
0.3	148	148	180
0.4	136	136	163
0.5	123	123	146
0.6	108	108	129
0.7	93	93	112
0.8	76	76	95

ENERGY PERFORMANCE						
Temp Mode	Supply Temp. °F	Net Airflow CFM	Power (Watts)	SRE	ASRE	Latent Recovery/ Moisture Transfer
Heating	+32	66	54	68%	74%	0.04
Heating	+32	91	64	64%	69%	0.05
Heating	+32	117	86	61%	66%	0.03



Port Designations	
1	Outside Air / Fresh Air From Outside
2	Supply Air / Fresh Air to Space
3	Return Air / Exhaust Air From Space
4	Exhaust Air / Exhaust Air to Outside

Distributed by:

**TAMARACK**  
Ventilation

800 222-5932  
www.tamtect.com



Updated 3-21 • Specifications subject to change without notice.

**nu-air**

Windsor, Nova Scotia B0N 2T0  
Tel: 800-565-2611  
nu-airventilation.com