

# INFINITY 1100

## WHOLE HOUSE FAN

**TAMARACK**  
Ventilation  
774-678-4433

### FEATURES

Quickly circulates up to 750 CFM\* | Cools & ventilates the entire home using fresh outside air

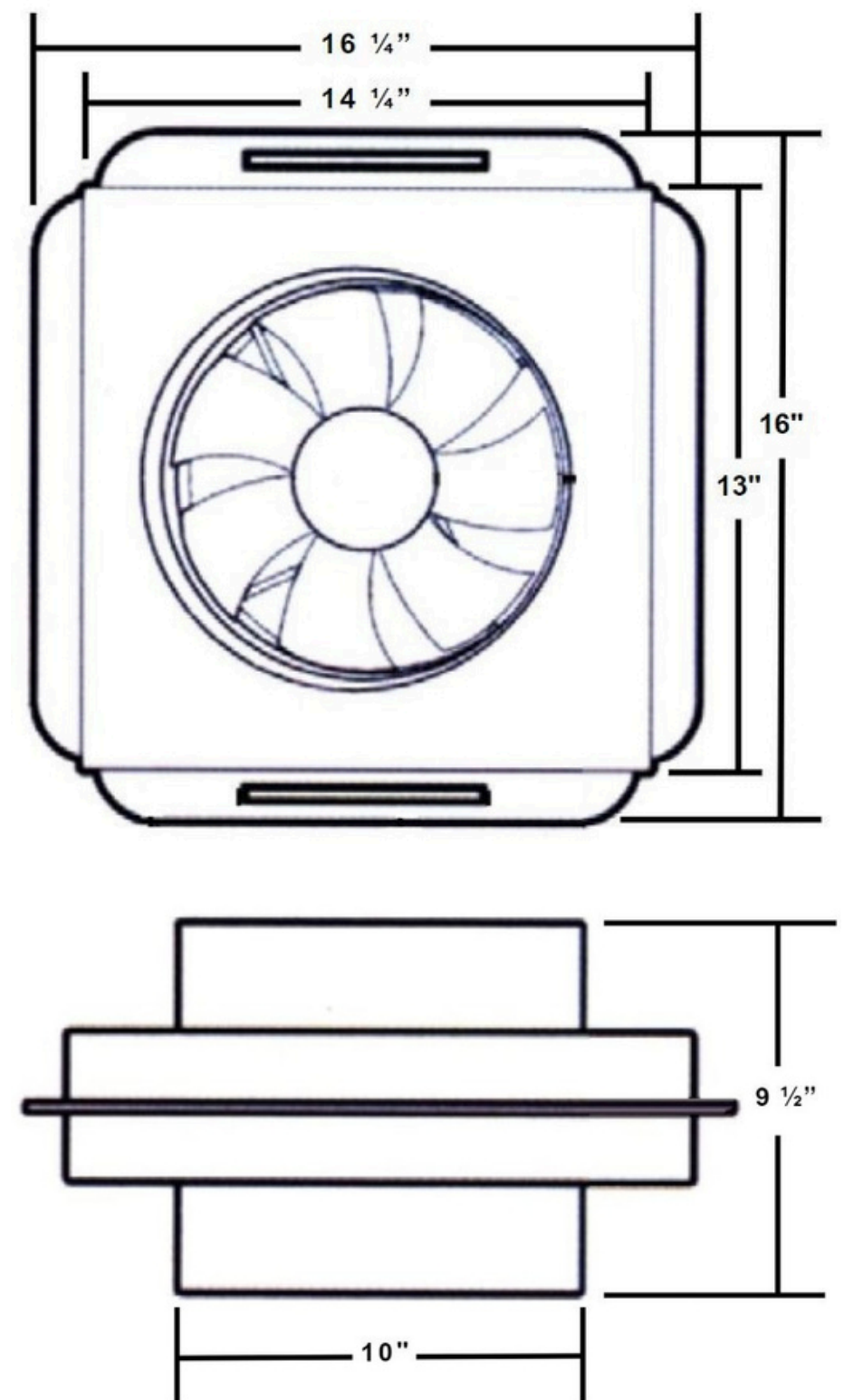
Two 10" duct collars

Operates with a variety of line voltage controls including timer, thermostat, and wall switch\*\*

Maintenance-free

Mounts to attic rafter for quiet operation

3-year limited warranty



### SPECS

Airflow (CFM): **750**

Electrical requirements: **115/120 VAC, 60 Hz, 1.5 amps**

Power usage (Watts): **166 W**

Overall dimensions: w×h×d **16 1/4" × 16" × 9 1/2"**

Duct collars (2): length **3" with bead diameter 10"**

Mounting flange dimensions: **14 1/4" × 1 1/2"**

Weight: unit **13 lbs** shipping **16 lbs**



\*CFM rates were measured in a controlled test environment.  
Results will vary due to building construction  
\*\*All other controls will void the product warranty

