

INFINITY 2200

WHOLE HOUSE FAN

TAMARACK
Ventilation
774-678-4433

The **Infinity 2200** is a versatile whole house fan. This dual-fan product can be used as an exhaust fan, a supply fan, or a balanced fan. The fan motors are designed to operate in either direction – moving air in, out, or both.

FEATURES

Quickly circulates up to 1614 CFM* | Cools & ventilates the entire home using fresh outside air

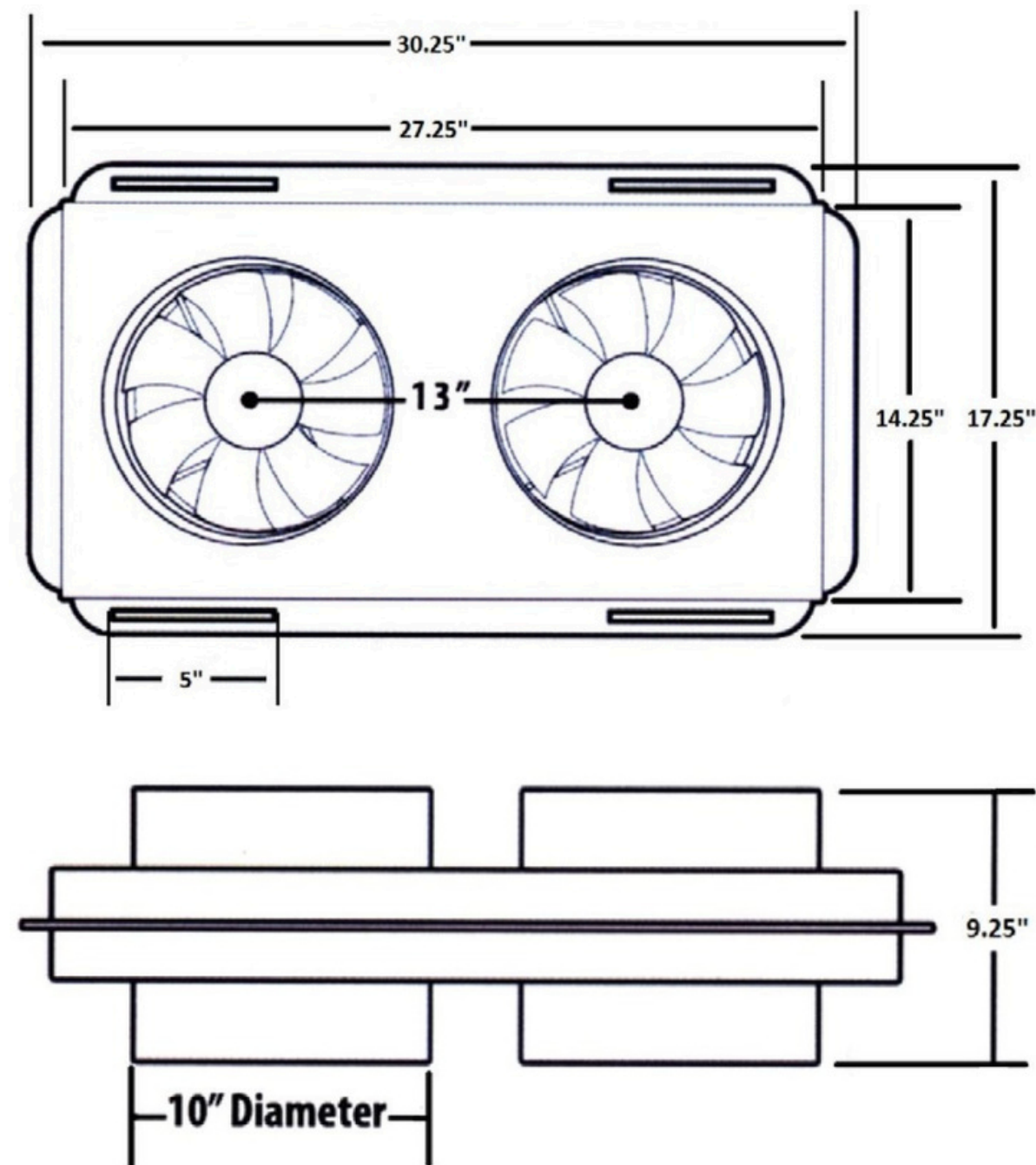
Four 10" duct collars

Operates with a variety of line voltage controls including timer, thermostat, and wall switch**

Maintenance-free

Mounts to attic rafter for quiet operation

3-year limited warranty



SPECS

Airflow (CFM): **1614**

Electrical requirements: **115/120 VAC, 60 Hz, 3 amps**

Power usage (Watts): **328 W**

Duct collar: length **3" with bead diameter 10"**

Overall dimensions: w×h×d **30 1/4" × 17 1/4" × 9 1/4"**

Mounting flange dimensions: **27 1/4" × 1 1/2"**

Weight: unit **27 lbs** shipping **33 lbs**



*CFM rates were measured in a controlled test environment.
Results will vary due to building construction
**All other controls will void the product warranty

