

# Infinity 2200

Inf22PG-5

## Infinity 2200 Ducted Whole House Fan

### PRODUCT MANUAL & INSTALLATION GUIDE



SERIAL NUMBER \_\_\_\_\_  
DATE OF PURCHASE \_\_\_\_\_  
POINT OF PURCHASE \_\_\_\_\_

### **READ AND SAVE THESE INSTRUCTIONS**

**⚠WARNING:** TO REDUCE THE RISK OF FIRE, ELECTRIC SHOCK, OR INJURY TO PERSONS, OBSERVE THE FOLLOWING:

- Use this unit in the manner intended by the manufacturer. If you have any questions contact the manufacturer.
- Before servicing or cleaning unit, switch power off at service panel and lock service panel to prevent power from being switched on accidentally. When the service disconnect cannot be locked, securely fasten a prominent warning device, such as a tag, to the service panel.
- When cutting or drilling into wall or ceiling, do not damage electrical wiring or other hidden utilities.
- Never place a switch where it can be reached from a tub or shower.
- Do not use this fan over a tub or shower.
- Do not use this fan over cooking appliances.

**⚠CAUTION:** For General Ventilation Use Only. Do Not Use to Exhaust Hazardous or Explosive Materials and Vapors.

**⚠CAUTION:** This unit has an unguarded impeller. Do Not Use in Locations Readily Accessible to People or Animals.

Material Included	Tools and Supplied Needed (not provided)
<ul style="list-style-type: none"><li>(1) Infinity 2200 (with 6' line cord)</li><li>(1) 4 wire patch cable (attached)</li><li>(1) Hanger/Install Kit Containing:<ul style="list-style-type: none"><li>(2) Mounting Bracket 5"L</li><li>(4) Screw, Wood 12 x 1-1/2</li><li>(4) Screw 10-32 x 1" PH</li><li>(4) Nut 10-32 w/Nylon Insert</li><li>(8) Washer 1/4" Flat</li><li>(4) Washer #10 Flat</li></ul></li></ul>	<ul style="list-style-type: none"><li>• Screw Gun with Phillips Head Bit</li><li>• Measuring Tape</li><li>• Utility Knife</li><li>• Jig Saw (to create holes for external hoods)</li><li>• Drywall Hand Saw</li><li>• 4 Lengths of 10" Diameter Duct (Flexible or Rigid) Measure to determine length requirements for the installation</li><li>• Duct Aluminum Tape or 10" Strap Band/Clamp (to affix duct)</li><li>• Siding Materials (shingles, flashing etc.)</li><li>• (2) External 10" Vents/Hoods (sold separately)</li></ul>



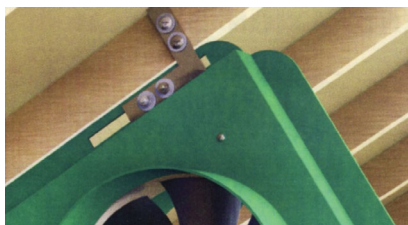
Tamarack Technologies, Inc.  
20 Patterson Brook Rd, Suite 7  
West Wareham, MA 02576  
774-678-4433 Fax 774-678-4436  
info@tamtech.com

## Determine the Best Location for the Infinity 2200

The ideal location to install the Infinity 2200 is in the attic. **Keep in mind the outlet location providing power as the fan has a six foot line cord.** Plan the layout of the ducts moving air in and out of the home to prevent kinks or air flow restrictions. The brackets and hardware (provided) will allow you to hang the fan from the roof framework or install on a custom frame made using 2X4's. Mounting the fan as far as possible from the interior air intake and exhaust points will minimize fan operating noise from being transmitted back through the duct work. Allow sufficient access for service.

## Install the Infinity 2200

1. Attach the mounting brackets to the fan with the nuts and screws provided.
2. Attach the mounting brackets to the rafters or frame with the wood screws and washers provided.
3. Plug the line cord into the electrical outlet.



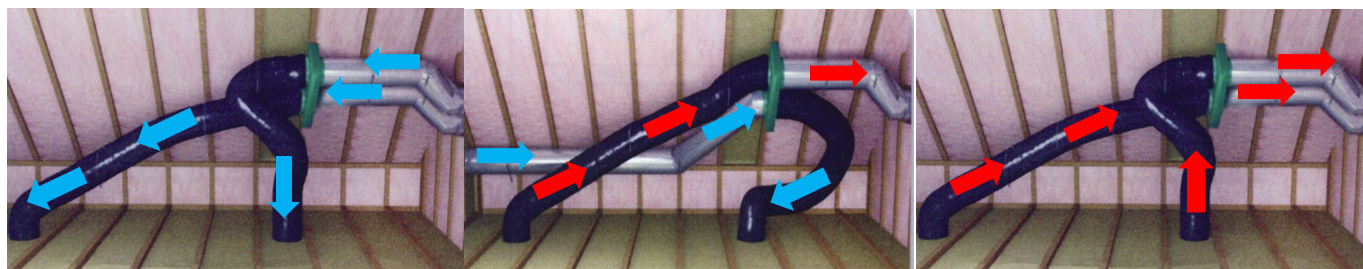
## Interior Grilles and Diffusers (sold separately)

Interior grilles and diffusers (mounted in drywall ceiling) can be installed above hallways or rooms in desired locations. It is recommended that the supply and exhaust registers in the drywall ceiling be no less than six feet apart for proper air exchange. External vents should be installed on opposite sides of the home to prevent recirculation of exhausted air. The intake and exhaust hoods are intended to be installed in the vertical walls of the attic and may require flashing to be weather tight.

## Duct (not provided) Connections

Connect the **fresh air supply** 10" diameter duct to the supply hood and the other end to the **intake** fan flange (NOTE: fan motor air flow direction tag). The **output** side of this fan is then connected to the register intended to supply fresh air to the living space with a length of 10" diameter duct.

Connect the **exhaust** 10" diameter duct to the exhaust hood and the other end to the **output** side flange of second motor (NOTE: fan air flow direction tag). The **intake** side of this fan is then connected to the register intended to exhaust the old air out of the living space.



Positive Air Supply Configuration

Balanced Air Configuration (**recommended**)

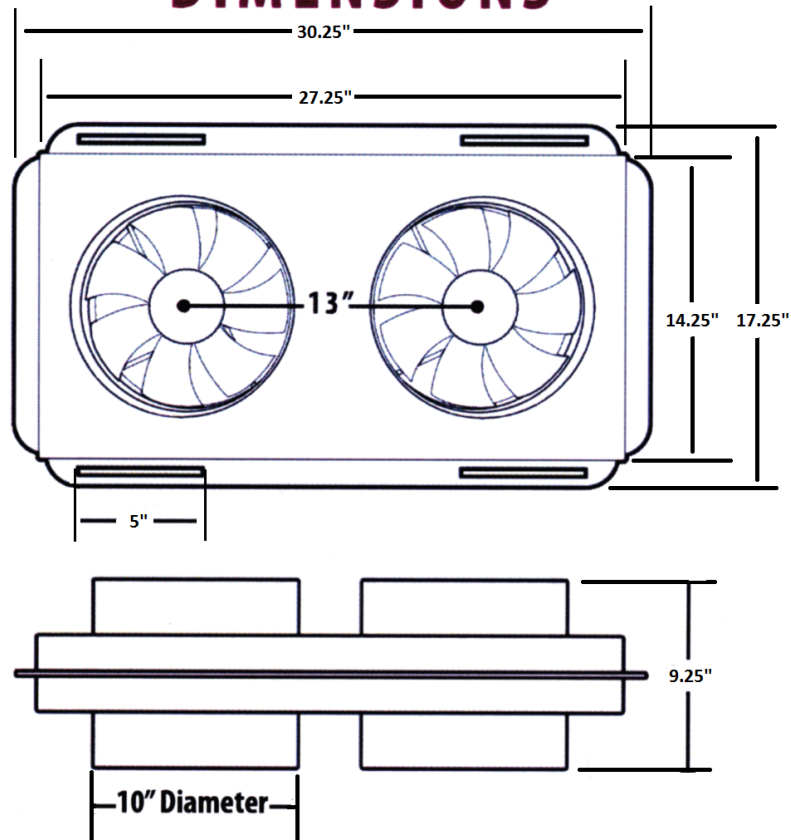
Negative Air Exhaust Configuration

 Cool/outside air flow       Warm/inside air flow

### SPECIFICATIONS

Overall Dimensions: ..... 30-1/4 x 17-1/4 x 9-1/4" D  
Mounting Flange Dimensions: ....27-1/4 x 1-1/2"  
Duct Size (4): .....10"  
Duct Collar Length: .....3" with Bead  
Electrical Requirements: .....115V, 60 Hz, 3A (Total)  
Power: .....336 Watts  
Air Flow Each motor: .....1070 cfm @ .1" Wg  
Unit Weight: .....27 lbs.  
Shipping Carton:..... 31 x 19 x 11"  
Shipping Weight:.....33lbs

### DIMENSIONS



**LIMITED WARRANTY** If, within the period of three years from the date of purchase, the Infinity 2200 (the Product) is defective or malfunctions in normal home use, Tamarack Technologies, Inc. will repair or replace the Product, at its discretion. Customer is responsible for shipping charges.

**CONDITIONS, EXCLUSIONS, AND LIMITATIONS**

This Warranty is subject to the following conditions, exclusions and limitations: THIS WARRANTY DOES NOT COVER PROBLEMS RESULTING FROM INSTALLATION, OPERATION OR MAINTENANCE THAT HAS BEEN UNDERTAKEN OTHER THAN IN ACCORDANCE WITH THE INSTRUCTIONS. THIS WARRANTY DOES NOT COVER PROBLEMS RESULTING FROM DEFECTS IN OR CAUSED BY ASSOCIATED EQUIPMENT (FURNACES, SOLARIA, ETC.); FROM REPAIRS OR MODIFICATIONS ATTEMPTED BY PERSONS OTHER THAN TAMARACK TECHNOLOGIES, INC.; FROM ABUSE, ACCIDENTAL OR SHIPPING DAMAGE OR ACTS OF GOD. THIS WARRANTY DOES NOT APPLY TO THE PRODUCT USED OUTSIDE THE UNITED STATES, ITS TERRITORIAL POSSESSIONS, AND CANADA. EXCEPT AS SET FORTH ABOVE, NO EXPRESS OR IMPLIED WARRANTY IS GIVEN OR AUTHORIZED BY TAMARACK TECHNOLOGIES, INC. AND ALL OTHER SUCH WARRANTIES ARE EXPRESSLY DISCLAIMED. ANY WARRANTY OR MERCHANTABILITY OF FITNESS FOR ANY PARTICULAR PURPOSE SHALL BE LIMITED TO THE WARRANTY HEREUNDER. MOREOVER, ANY LIABILITY OF TAMARACK TECHNOLOGIES, INC. FOR THE PRODUCT SHALL BE LIMITED TO THE REPLACEMENT VALUE OF THE PRODUCT. IN NO EVENT SHALL TAMARACK TECHNOLOGIES, INC. BE LIABLE FOR ANY INCIDENTAL DAMAGES OR FOR ANY CONSEQUENTIAL PROPERTY OR COMMERCIAL DAMAGES, IRRESPECTIVE OF THE CAUSE THEREOF, OCCURRING EITHER DURING OR AFTER THE WARRANTY PERIOD, INCLUDING WITHOUT LIMITATION ANY DAMAGES TO ANY PART OF A BUILDING OR ITS CONTENTS. NOTE: SOME STATES DO NOT ALLOW THE EXCLUSION OR LIMITATION OF INCIDENTAL OR CONSEQUENTIAL DAMAGES AND SOME STATES DO NOT ALLOW LIMITATIONS ON HOW LONG AN IMPLIED WARRANTY LASTS, SO THE ABOVE LIMITATIONS OR EXCLUSIONS MAY NOT APPLY TO YOU. THIS WARRANTY GIVES YOU SPECIFIC LEGAL RIGHTS AND YOU MAY ALSO HAVE OTHER RIGHTS THAT VARY FROM STATE TO STATE. **PROOF OF PURCHASE REQUIRED.**



Tamarack Technologies, Inc.  
20 Patterson Brook Rd, Suite 7  
West Wareham, MA 02576  
774-678-4433 Fax 774-678-4436  
info@tamtech.com