



HV1600 R38 WHOLE HOUSE FAN

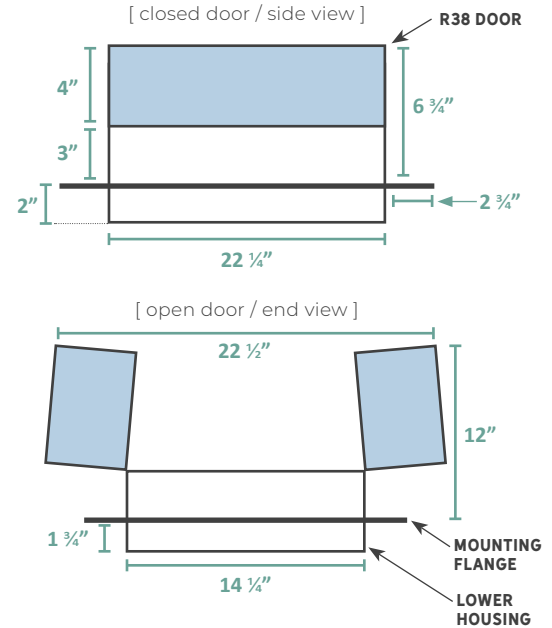
DUCTLESS



Cools homes up to 2,000 Sq ft

FEATURES

- Quickly circulates up to 1600 CFM* | Cools & ventilates the entire home using fresh outside air
- Energy efficient & maintenance-free
- Mechanical self-sealing doors with R38 insulation value
Also available in R50 insulation
- Easy to install both horizontally and vertically
- Fits 16" - 24" on-center joists | No joist-cutting required
- Controlled by remote, SPST wall switch, or spring-wound non-digital timer (*Hardwired configuration is optional. Switch and timer not included with fan purchase*)**
- WiFi model available for convenient smartphone and smart home voice command operation
- Standard 3-year limited warranty with optional extended warranty



SPECS

Airflow (CFM): HIGH SPEED **1600** LOW **1150**

Electrical Requirements: **115/120 VAC, 60HZ**

Power Usage (watts): HIGH SPEED **230 W** LOW **207 W**

Doors Insulation Value: **R38**

Rough Opening: **14 1/2" x 22 1/2"**

Interior Grille: **15 3/4" x 25 3/4" / WHITE METAL**

Operation: **2 SPEEDS / 30 SEC DOOR DELAY BEFORE FAN STARTS**

Attic Ventilation: REQUIRED **2.13 SQ FT NET FREE AREA** RECOMMENDED **2.8 SQ FT NET FREE AREA**

Weight: UNIT **26 LBS** SHIPPING **40 LBS**

Purchase Includes: **(1) HV1600, (1) HORIZONTAL GRILLE, (2) KEY FOB REMOTE CONTROLS**

Optional Accessories: **VERTICAL GRILLE, "MUFFLER" ACOUSTIC PLENUM BOX**

*CFM rates were measured in a controlled test environment. Results will vary due to building construction.

**All other controls will void the product warranty.

