

DUCTED

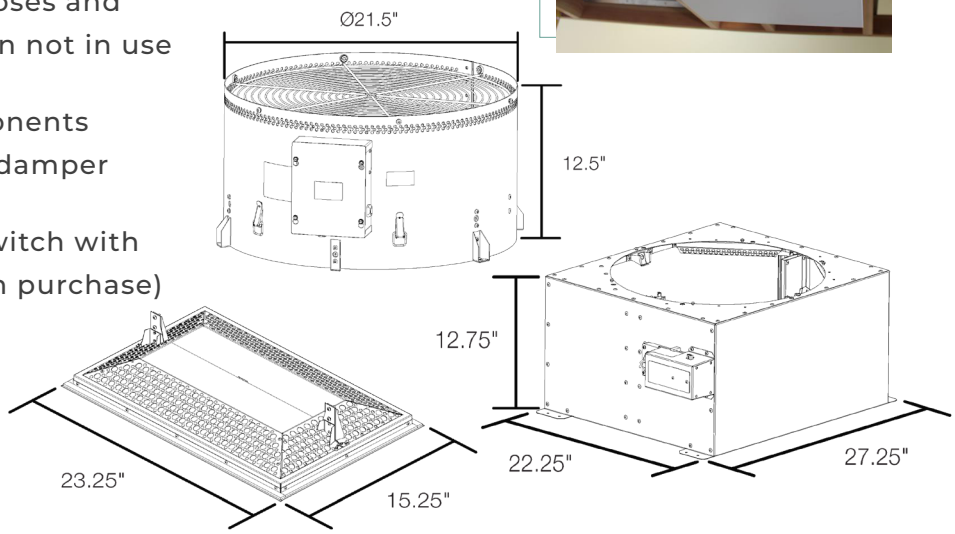
HV2800D "VENTI" WHOLE HOUSE FAN



Cools 2-story homes up to 3,400 Sq ft
Cools 1-story homes up to 2,400 sq ft

FEATURES

- Powerful ECM motors quickly circulate up to 2500 CFM*
Cools & ventilates the entire home using fresh outside air
- Unique drop-down damper closes and seals to the attic space when not in use
- Brushed aluminum fan components with white, powder-coated damper
- Controlled by 10-speed wall switch with 12-hour timer (included with purchase) or optional remote
- Fits 16" - 24" on-center joists
No joist-cutting required
- 3-year parts limited warranty
10-year fan motor assembly warranty



SPECS

Airflow (CFM): HIGH SPEED **2500** LOW **628**

Electrical: **115/120 VAC, 60 HZ, 15 AMPS**

Power Usage (watts): HIGH SPEED **165 W** LOW **10 W**

Overall Dimensions: **16 ¼" × 16" × 9 ½"**

Ducting: LENGTH **7'** DIAMETER **20"**

Rough Opening: **14 ½" × 22 ½"**

Doors Insulation Value: **R5**

Sound Level (dBA): HIGH SPEED **62** LOW **41**

Weight: SHIPPING **60 LBS** (4 BOXES TOTAL)

Attic Ventilation: RECOMMENDED **40" ATTIC HEIGHT**

Purchase Includes: **(1) VENTI, (1) DIGITAL TOUCH CONTROLLER, (1) DUCT**

Optional Accessories: **REMOTE RC-DCT-KIT**

**CFM rates were measured in a controlled test environment. Results will vary due to building construction.*

