

DUCTED

IN2200 WHOLE HOUSE FAN

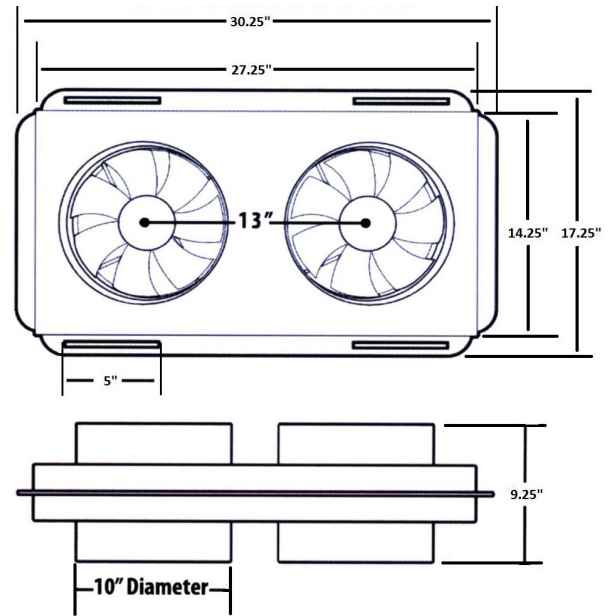


Cools homes up to 2,500 Sq ft

The **INFINITY 2200** is the most versatile whole house fan on the market. This ducted, dual-fan system can be used to cool and exhaust a home's air. bring air into the home, or do both simultaneously.

FEATURES

- Circulates 2200 CFM* | Cools & ventilates the entire home using fresh outside air
- Four 10" duct collars capable of routing air throughout the entire home
- Operates with a variety of line voltage controls including timer, thermostat, and wall switch**
- Easy to install | Maintenance-free
- Mounts to attic joist for super quiet operation
- Standard 3-year limited warranty
Optional extended warranty



SPECS

- Airflow (CFM): **2200 (1100 × 2)**
- Electrical: **115/120 VAC, 60 HZ, 3 AMPS**
- Power (watts): **336 W**
- Duct Size: **10"**
- Duct Collar Length: **3" WITH BEAD**
- Overall Dimensions: W×H×D **30 ¼" × 17 ¼" × 9 ¼"**
- Mounting Flange Dimensions: **27 ¼" × 1 ½"**
- Weight: UNIT **27 LBS** SHIPPING **33 LBS**
- Optional Accessories: **REMOTE CONTROL KIT, FILTER BOX**

Optional Filter Box



The Infinity 2200 is a base model requiring additional components. These components vary depending on how the fan is being used.

*CFM rates were measured in a controlled test environment. Results will vary due to building construction.

**All other controls will void the product warranty.