



HV1600 R50 WHOLE HOUSE FAN

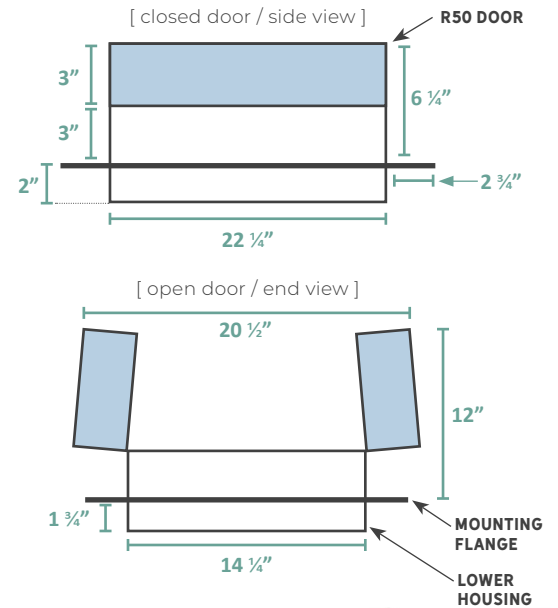
DUCTLESS



Cools homes up to 2,000 Sq ft

FEATURES

- Quickly circulates up to 1600 CFM* | Cools & ventilates the entire home using fresh outside air
- Energy efficient & maintenance-free
- Mechanical self-sealing doors with R50 insulation value
Also available in R38 insulation
- Easy to install both horizontally and vertically
- Fits 16" - 24" on-center joists | No joist-cutting required
- Controlled by remote, SPST wall switch, or spring-wound non-digital timer (*Hardwired configuration is optional. Switch and timer not included with fan purchase*)**
- Standard 3-year limited warranty with optional extended warranty



SPECS

AIRFLOW (CFM): **HIGH SPEED 1600 LOW 1150**

ELECTRICAL REQUIREMENTS: **115/120 VAC, 60HZ**

POWER USAGE (WATTS): **HIGH SPEED 230 W LOW 207 W**

DOORS INSULATION VALUE: **R50**

ROUGH OPENING: **14 1/2" x 22 1/2"**

INTERIOR GRILLE: **15 3/4" x 25 3/4" / WHITE METAL**

OPERATION: **2 SPEEDS / 30 SEC DELAY WHEN**

ATTIC VENTILATION: **REQUIRED 2.13 SQ FT NET FREE AREA RECOMMENDED 2.8 SQ FT NET FREE AREA**

WEIGHT: **UNIT 26 lbs SHIPPING 40 lbs**

PURCHASE INCLUDES: **(1) HV1600, (1) HORIZONTAL GRILLE, (1) REMOTE CONTROL**

OPTIONAL ACCESORIES: **VERTICAL GRILLE, "MUFFLER" ACOUSTIC PLENUM BOX**



*CFM rates were measured in a controlled test environment. Results will vary due to building construction.

**All other controls will void the product warranty.