

DUCTLESS

# HV1000 R50

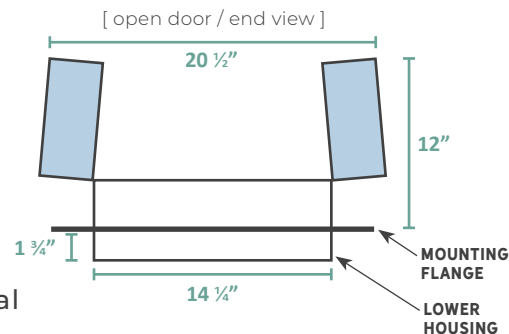
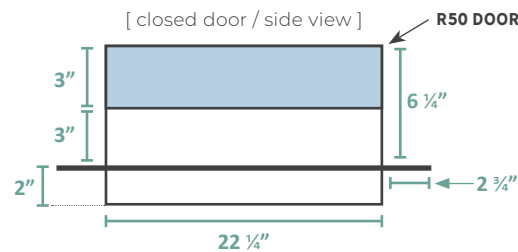
## WHOLE HOUSE FAN



Cools homes up to 1,600 Sq ft

### FEATURES

- Quickly circulates 1000 CFM\* | Cools & ventilates the entire home using fresh outside air
- Energy efficient & maintenance-free
- Mechanical self-sealing doors with R50 insulation value  
Also available in R38 insulation
- Easy to install both horizontally and vertically
- Fits 16" - 24" on-center joists | No joist-cutting required
- Controlled by SPST wall switch or spring-wound non-digital timer (not included with fan purchase)\*\*
- Standard 3-year limited warranty with optional extended warranty



### SPECS

**AIRFLOW (CFM): 1000**

**ELECTRICAL REQUIREMENTS: 115/120 VAC, 60HZ**

**POWER USAGE WATTS: 70 W**

**DOORS INSULATION VALUE: R50**

**ROUGH OPENING: 14 1/2" x 22 1/2"**

**INTERIOR GRILLE: 15 3/4" x 25 3/4" / WHITE METAL**

**OPERATION: 1 SPEED / 30 SEC DOOR DELAY BEFORE FAN STARTS**

**ATTIC VENTILATION: REQUIRED 1.3 SQ FT NET FREE AREA RECOMMENDED 1.7 SQ FT NET FREE AREA**

**WEIGHT: UNIT 18 lbs SHIPPING 34 lbs**

**PURCHASE INCLUDES: (1) HV1000, (1) HORIZONTAL GRILLE, (1) ELECTRICAL BOX COVER**

**OPTIONAL ACCESSORIES: VERTICAL GRILLE, "MUFFLER" ACOUSTIC PLENUM BOX**



\*CFM rates were measured in a controlled test environment. Results will vary due to building construction.

\*\*All other controls will void the product warranty.