

DUCTLESS

HV1000 R50 RF

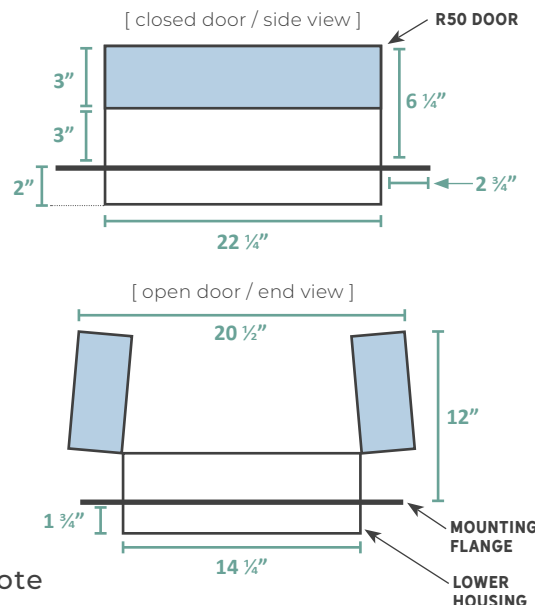
WHOLE HOUSE FAN



Cools homes up to 1,600 Sq ft

FEATURES

- Quickly circulates 1000 CFM* | Cools & ventilates the entire home using fresh outside air
- Energy efficient & maintenance-free
- Mechanical self-sealing doors with R50 insulation value
Also available in R38 insulation
- Easy to install both horizontally and vertically
- Fits 16" - 24" on-center joists | No joist-cutting required
- Controlled by SPST wall switch or Radio Frequency Remote
- Standard 3-year limited warranty with optional extended warranty



SPECS

AIRFLOW (CFM): 1000

ELECTRICAL REQUIREMENTS: 115/120 VAC, 60HZ

POWER USAGE WATTS: 70 W

DOORS INSULATION VALUE: R50

ROUGH OPENING: 14 1/2" x 22 1/2"

INTERIOR GRILLE: 15 3/4" x 25 3/4" / WHITE METAL

OPERATION: 1 SPEED / 30 SEC DELAY BEFORE FAN STARTS

ATTIC VENTILATION: REQUIRED 1.3 SQ FT NET FREE AREA RECOMMENDED 1.7 SQ FT NET FREE AREA

WEIGHT: UNIT 18 lbs SHIPPING 34 lbs

PURCHASE INCLUDES: (1) HORIZONTAL GRILLE, (1) ELECTRICAL BOX COVER, (1) REMOTE

OPTIONAL ACCESSORIES: VERTICAL GRILLE, "MUFFLER ACOUSTIC PLENUM BOX"



*CFM rates were measured in a controlled test environment. Results will vary due to building construction.

**All other controls will void the product warranty.