



**6" Duct (Standard):**

130 CFM/<0.3 Sones @ 0.1 SP, 11.6 Watts  
124 CFM/1.0 Sone @ 0.25 SP, 20.0 Watts



**Description**

Low noise ceiling mount ventilating fan rated for continuous running. Fan has been awarded ENERGY STAR® Most Efficient 2018. HVI, UL and cUL certified to comply with ASHRAE 62.2 local and whole building continuous and intermittent operation. Meets CA Title 24 requirements.

**DC Motor/Blower**

- Power rating of 120 volts/60Hz
- DC brushless motor engineered to run continuously
- Motor equipped with thermal cutoff fuse
- Removable with permanently lubricated plug-in motor
- Built-in soft start function to increase bearings' life
- Automatically powers off when impeller is locked abnormally
- Self-compensating motor speed for intended airflow when static pressure is encountered

**Housing**

- Galvanized steel body
- Detachable 6" diameter metal duct adapter
- Built-in backdraft damper
- Hanger bars included
- Easy installation

**Grille**

- Attractive design using ABS material
- Attaches directly to housing with torsion springs

**LED Indicator**

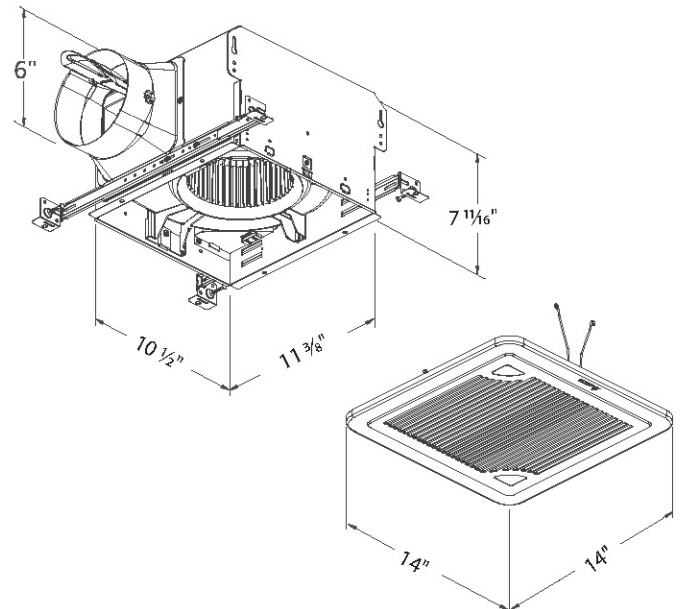
- Turn the power switch on/off to operate on/off. LED indicator will be green when power is on

**Warranty**

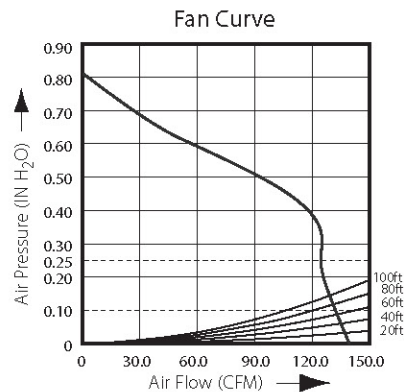
- 3-year limited warranty

**TYPICAL SPECIFICATION**

Ventilation fan shall be Delta Breez model SMT130; ENERGY STAR qualified with DC brushless motor engineered to run continuously for a minimum 70,000 hours; airflow rating of 130 CFM and loudness rating of <0.3 Sones at 0.1 static pressure as certified by the Home Ventilating Institute (HVI); power consumption of 11.6 Watts with efficiency rating of 1 CFM/Watt at 0.1" static pressure; fan will feature LED indicator running light, motor lock protection and self-compensating motor speed for intended airflow when static pressure is encountered. UL and cUL listed for tub/shower enclosure when used with GFCI-protected branch circuit wiring



<b>BreezSmart SMT130</b>	<b>6" Duct(Standard)</b>	
Static Pressure (inches w.g.)	0.1	0.25
Air Flow (CFM)	130	124
Sones	<0.3	1.0
Power Consumption (Watts)	11.6	20.0
Energy Efficiency (CFM/Watt)	11.2	6.2
Current (Amps)	0.44 Max	
Power Rating (V/Hz)	120/60	



Model	Quantity	Comments	Project:
			Location:
			Architect:
			Engineer:
			Contractor:
			Submitted by:
			Date: