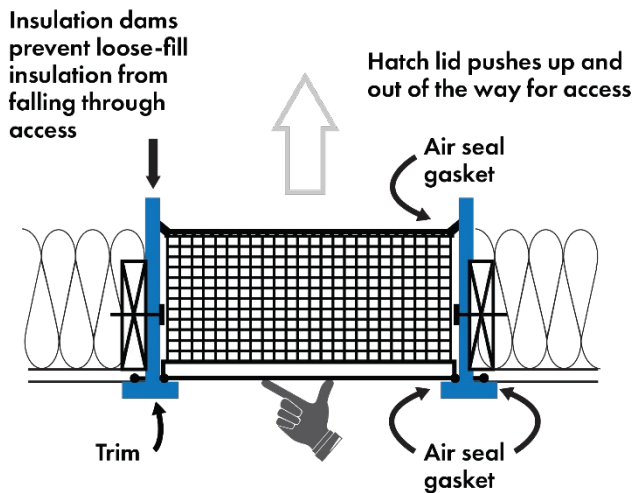


E-Z Hatch Attic Access Door

Installation Guide

Please read instructions completely and carefully. Inspect the unit for damage before beginning installation.



Improper installation can result in collapse and bodily injury

- Installer must be experienced in the construction or modification of structural framing supports
- Determine the location of electrical lines and/or plumbing before cutting the ceiling
- A helper may be needed to lift the frame into the ceiling rough opening
- Confirm that this attic access door and its installation meet all applicable building codes

Tools Required

Tape Measure
Drill
Keyhole saw or utility knife (to cut ceiling)
Ladder

Material Required

Wood shims
Lumber with same dimensions as joists
8-12 pcs #12x3" wood screws

Installation Steps

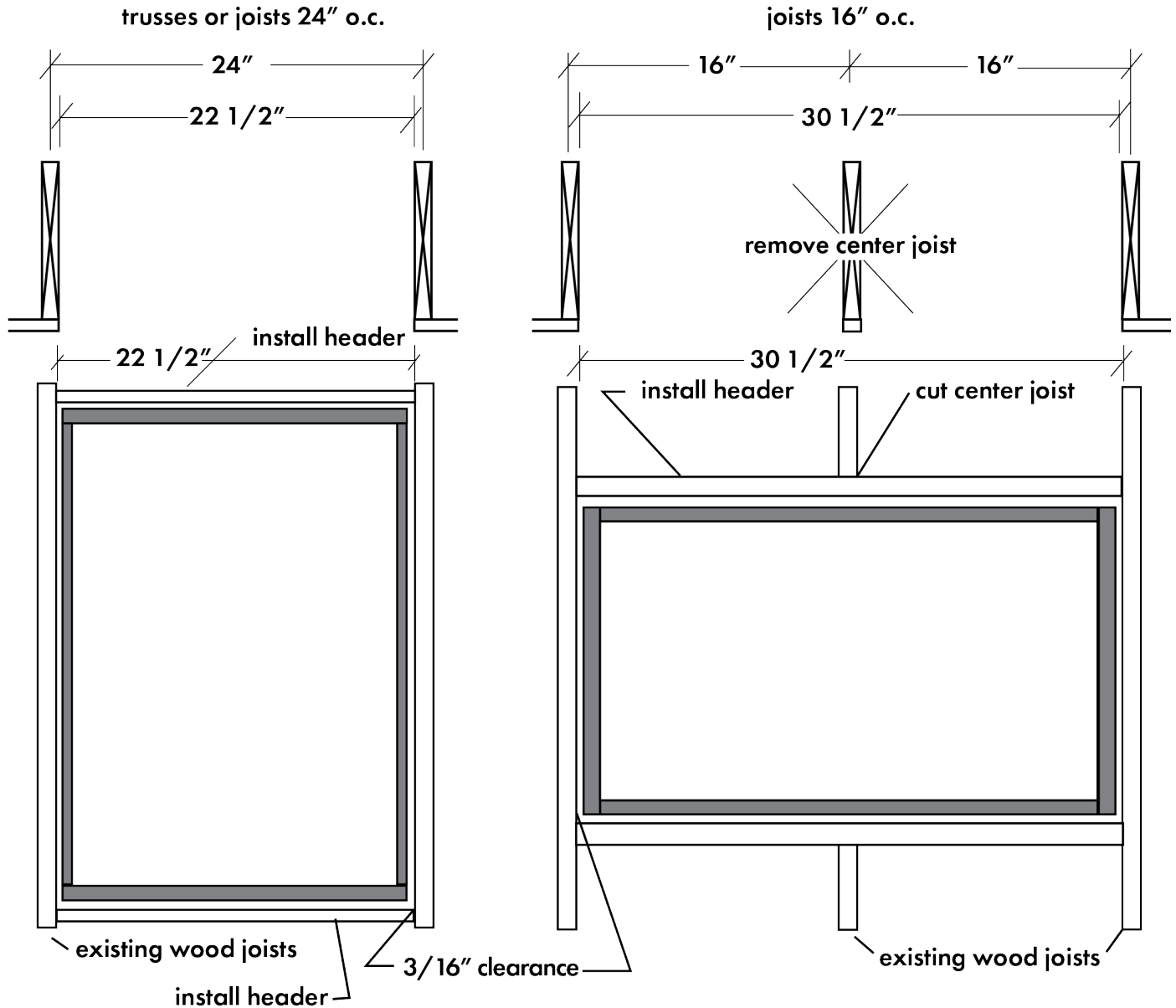
1. Choose Installation Location
2. Prepare the Opening
3. Frame the Opening
4. Install the Attic Access Hatch Door Frame
5. Install the Attic Access Hatch Door

STEP 1-Choose Installation Location

1. Select a location to install the Attic Access Door; closet or hallway is typical.
2. Inspect the location of ceiling joists or roof trusses in the attic to ensure the door can be installed in desired location. (see STEP 3)

STEP 2-Prepare the Opening

1. Study the drawing below.
2. Mark out the rough opening 22-1/2" wide x 30-1/2" long between the roof trusses or ceiling joists.
3. Cut the rough opening through the ceiling material.



STEP 3-Frame the Opening

For installation between joists/trusses spaced **24" OC**:

Install access door with long side parallel to joists or trusses.

Install 2x6" or 2x8" headers. These headers will form the box frame into which the access door will be secured.

For installation between joists spaced **16" OC**:

Install access door with short side parallel to joists.

Cut and remove the center joist and tie in to the other joists with 2x6" or 2x8" headers. These headers will form the box frame into which the access door will be secured.

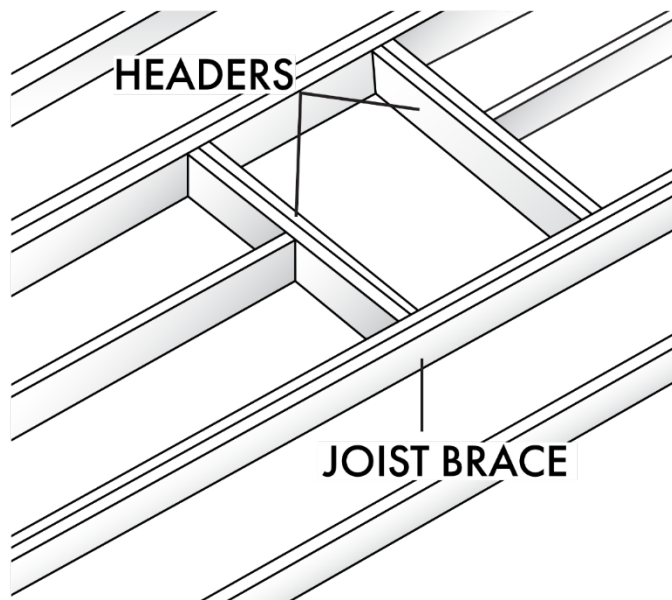


Illustration
Typical framing with Joists 16" o.c.,
center joist cut and headers added



- CHECK THE WIRING before cutting any joists
- DO NOT CUT THE CEILING JOISTS if your attic is constructed using trusses without first CONSULTING AN ENGINEER AND OBTAINING APPROVAL
- The use of DOUBLE HEADERS and JOINT BRACES are recommended for greater strength and safety

STEP 4-Install the Attic Access Hatch Door Frame

1. Separate the door from the frame.
2. Lift the frame up into the opening, compressing the weatherstrip so the trim is tight against the ceiling.
3. Square door in rough opening.
4. Shim and anchor access door frame to joints/trusses and headers. Use a sufficient size and number of screws (8-12 #12x3" wood screws recommended-not provided) to adequately secure the frame. The screws must be installed flush with the inner surface of the frame.

STEP 5-Install the Attic Access Hatch Door

1. Drop the door into the frame. When placed properly, the door will rest on the weatherstripping on inside of trim.
2. Remove any fingerprints or dirt with a moist towel or rag.

SPECIFICATIONS		
Rough Opening	22-1/2" x 30-1/2"	
Overall Dimensions (OD)	Frame: 24-1/8" x 32-1/4"	
Unit Weight R-50	Standard: 29.5 lbs.	Locking: 37.5 lbs.
Unit Weight R-80	Standard: 31.5 lbs.	Locking: 39.5 lbs.
Shipping Weight R-50	Standard: 36 lbs.	Locking: 44 lbs.
Shipping Weight R-80	Standard: 38 lbs.	Locking: 46 lbs.
Shipping Carton Size	34" x 26" x 14"	

LIMITED WARRANTY If, within the period of one year from the date of purchase, the EZ Hatch Attic Access Door (the Product) is defective or malfunctions in normal home use, Tamarack Technologies, Inc. will repair or replace the Product, at its discretion. The customer is responsible for shipping charges.

CONDITIONS, EXCLUSIONS, AND LIMITATIONS ó This Warranty is subject to the following conditions, exclusions and limitations: THIS WARRANTY DOES NOT COVER PROBLEMS RESULTING FROM INSTALLATION, OPERATING OR MAINTENANCE THAT HAS BEEN UNDERTAKEN OTHER THAN IN ACCORDANCE WITH THE INSTRUCTIONS. THIS WARRANTY DOES NOT COVER PROBLEMS RESULTING FROM DEFECTS IN OR CAUSED BY ASSOCIATED EQUIPMENT (FURNACES, SOLARIA, ETC.); FROM REPAIRS OR MODIFICATIONS ATTEMPTED BY PERSONS OTHER THAN TAMARACK TECHNOLOGIES, INC.; FROM ABUSE, ACCIDENTAL OR SHIPPING DAMAGE OR ACTS OF GOD. THIS WARRANTY DOES NOT APPLY TO THE PRODUCT USED OUTSIDE THE UNITED STATES, ITS TERRITORIAL POSSESSIONS, AND CANADA. EXCEPT AS SET FORTH ABOVE, NO EXPRESS OR IMPLIED WARRANTY IS GIVEN OR AUTHORIZED BY TAMARACK TECHNOLOGIES, INC. AND ALL OTHER SUCH WARRANTIES ARE EXPRESSLY DISCLAIMED. ANY WARRANTY OR MERCHANTABILITY OF FITNESS FOR ANY PARTICULAR PURPOSE SHALL BE LIMITED TO THE WARRANTY HERE-UNDER. MOREOVER, ANY LIABILITY OF TAMARACK TECHNOLOGIES, INC. FOR THE PRODUCT SHALL BE LIMITED TO THE REPLACEMENT VALUE OF THE PRODUCT. IN NO EVENT SHALL TAMARACK TECHNOLOGIES, INC. BE LIABLE FOR ANY INCIDENTAL DAMAGES OR FOR ANY CONSEQUENTIAL PROPERTY OR COMMERCIAL DAMAGES, IRRESPECTIVE OF THE CAUSE THEREOF, OCCURRING EITHER DURING OR AFTER THE WARRANTY PERIOD, INCLUDING WITHOUT LIMITATION, ANY DAMAGES TO ANY PART OF A BUILDING OR ITS CONTENTS. NOTE: SOME STATES DO NOT ALLOW THE EXCLUSION OR LIMITATION OF INCIDENTAL OR CONSEQUENTIAL DAMAGES AND SOME STATES DO NOT ALLOW LIMITATIONS ON HOW LONG AN IMPLIED WARRANTY LASTS, SO THE ABOVE LIMITATIONS OR EXCLUSIONS MAY NOT APPLY TO YOU. THIS WARRANTY GIVES YOU SPECIFIC LEGAL RIGHTS AND YOU MAY ALSO HAVE OTHER RIGHTS THAT VARY FROM STATE TO STATE. **PROOF OF PURCHASE REQUIRED.**

Thank you for your purchase