



**MODEL SLM80-110DLED**

(Fan/Dimmable LED Light with Dual Speed – 80/110 CFM)



**Full Speed:**

80 CFM/0.4 Sones @ 0.1" SP, 9.0 Watts  
80 CFM/1.1 Sones @ 0.25" SP, 14.5 Watts

**Full Speed:**

110 CFM/1.3 Sones @ 0.1" SP, 16.5 Watts  
106 CFM/1.5 Sones @ 0.25" SP, 24 Watts



**Description**

Low noise ceiling/wall mount ventilating fan rated for continuous running. Fan is ENERGY STAR qualified, HVI, UL, and cUL certified, and can be used to comply with ASHRAE 62.2 (local and whole building continuous and intermittent operation) and CA Title 24 requirements.

**DC Motor/Blower**

- Power Rating of 120 volts/60Hz
- Motor equipped with thermal cutoff fuse
- Removable with permanently lubricated plug-in motor
- Full speed adjustable, 80 or 110 CFM
- Allows fan to operate in full speed mode or continuous low speed mode by manual switch
- For continuous low speed mode, the fan runs continuously at a user-preset lower level (0, 50, 80 CFM)
- Delay time preset positions (0.5, 5, 15, 30, 45, or 60 min)
- Built-in soft start function to increase bearings' life
- Automatically powers OFF when impeller is locked abnormally

**Housing**

- Galvanized steel body
- Detachable 4" oval metal duct adapter
- Built-in backdraft damper
- Easy installation with mounting flange

**Grille**

- Attractive design using ABS material
- Attaches directly to housing with torsion springs

**Light**

- 13-Watt LED Light output 850 Lumens, 3000K, 90CRI
- Dimmable Lighting (dimnable switch not included)

**LED Indicator**

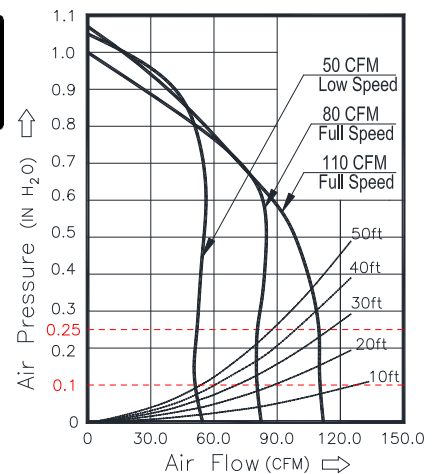
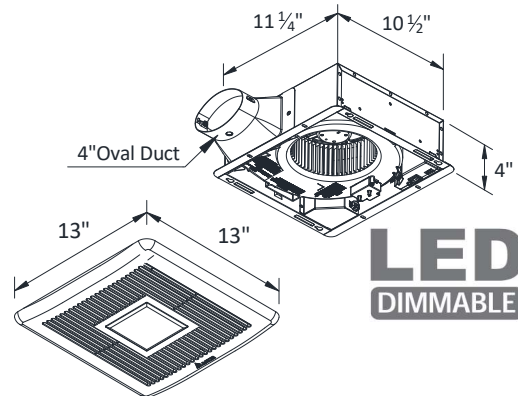
- Green and amber LED indicator lights show continuous low speed and full speed modes

**Warranty**

- 3-Year limited warranty

**TYPICAL SPECIFICATION**

Ventilation fan shall be Delta Breez model SLM80-110DLED; ENERGY STAR qualified with Brushless DC Motor engineered to run continuously for a minimum 70,000 hours; airflow rating of 110 CFM and loudness rating of 1.3 Sones at 0.1 static pressure as certified by the Home Ventilating Institute (HVI); power consumption of 16.5 Watts with efficiency rating of 6.6 CFM/Watt at 0.1" static pressure; fan will feature motor lock protection and self-compensating motor speed for intended airflow when static pressure is encountered. UL and cUL listed for tub/shower enclosure when used with GFCI-protected branch circuit wiring.



BreezSlim SLM80-110DLED								
Fan Speed	Continuous low speed				Full speed			
Static Pressure (inches w.g.)	0.1	0.25	0.1	0.25	0.1	0.25	0.1	0.25
Air Flow (CFM)	50	47	80	80	80	80	110	106
Sones	<0.3	0.8	0.4	1.1	0.4	1.1	1.3	1.5
Power Consumption (Watts)	6	9.5	9.0	14.5	9.0	14.5	16.5	24
Energy Efficiency (CFM/Watts)	8.3	4.9	8.8	5.5	8.8	5.5	6.6	4.4
Current (Amps)	0.6 Max.							
Power Rating (V/Hz)	120 / 60							
Dimmable LED Light (Watts)	13							

Model	Quantity	Comments	Project:
			Location:
			Architect:
			Engineer:
			Contractor:
			Submitted by:
			Date: