



	<p>4" Duct (Standard): 100 CFM/1.4 Sones @ 0.1 SP, 12.6 Watts 77 CFM/1.5 Sones @ 0.25 SP, 11.6 Watts</p>		
--	---	--	--

Description

Low noise ceiling/wall mount ventilating fan rated for continuous running. Fan has been awarded ENERGY STAR® qualified. It is HVI, UL, and cUL certified, and can be used to comply with ASHRAE 62.2 (local and whole building continuous and intermittent operation), CA Title 24, and CALGreen requirements.

DC Motor/Blower

- Power rating of 120 volts/60Hz
- DC Brushless motor engineered to run continuously
- Motor equipped with thermal cutoff fuse
- Removable with permanently lubricated plug-in motor
- Built-in soft start function to increase bearings' life
- Automatically powers OFF when impeller is locked abnormally
- Permanently lubricated motor
- Self-compensating motor speed for intended airflow when static pressure is encountered

Housing

- Galvanized steel body
- Detachable 4" diameter metal duct adapter
- Built-in backdraft damper
- Hanger bars included
- Easy installation

Grille

- Attractive design using ABS material
- Attaches directly to housing with torsion springs

LED Indicator

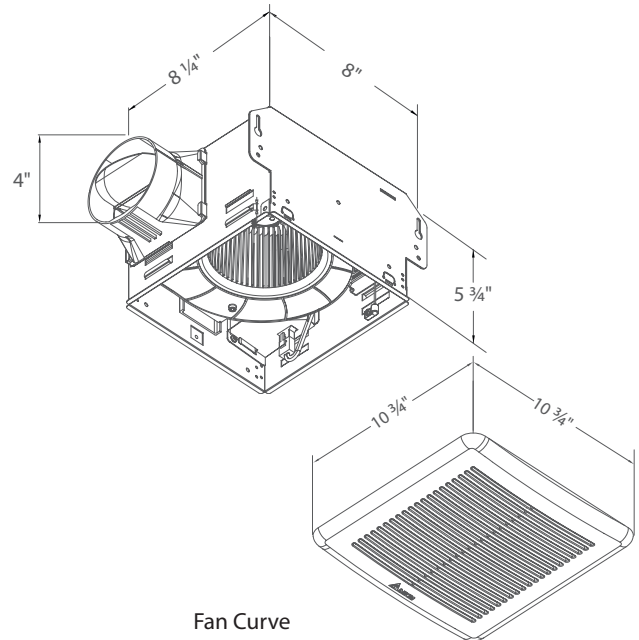
- Turn the power switch on/off to operate on/off. LED indicator will be green when power is on

Warranty

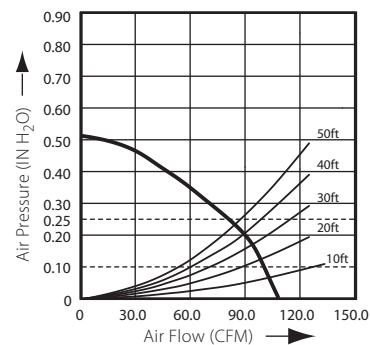
- 3-year limited warranty

TYPICAL SPECIFICATION

Ventilation fan shall be Delta Breez model GBR100; ENERGY STAR qualified with brushless DC motor engineered to run continuously for a minimum 70,000 hours; airflow rating of 100 CFM and loudness rating of 1.4 Sones at 0.1 static pressure as certified by the Home Ventilating Institute (HVI); power consumption of 12.6 Watts with efficiency rating of 7.9 CFM/Watt at 0.1" static pressure; fan will feature LED indicator running light, motor lock protection and self-compensating motor speed for intended airflow when static pressure is encountered. UL and cUL listed for tub/shower enclosure when used with GFCI-protected branch circuit wiring.



Fan Curve



BreezGreenBuilder GBR100	4" Duct (Standard)	
Static Pressure (inches w.g.)	0.1	0.25
Air Flow (CFM)	100	77
Sones	1.4	1.5
Power Consumption (Watts)	12.6	11.6
Energy Efficiency (CFM/Watt)	7.9	6.6
Current (Amps)	0.22 Max	
Power Rating (V/Hz)	120 / 60	

Model	Quantity	Comments	Project:
			Location:
			Architect:
			Engineer:
			Contractor:
			Submitted by:
			Date: