



Win-20 Control Wiring

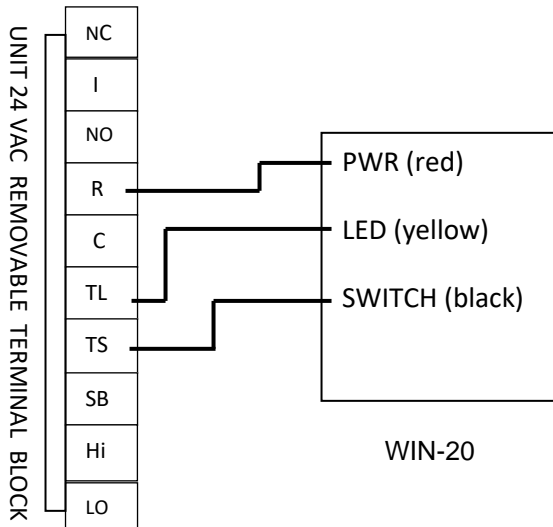
WIN-20 – Timer - Windsor 20 Minute



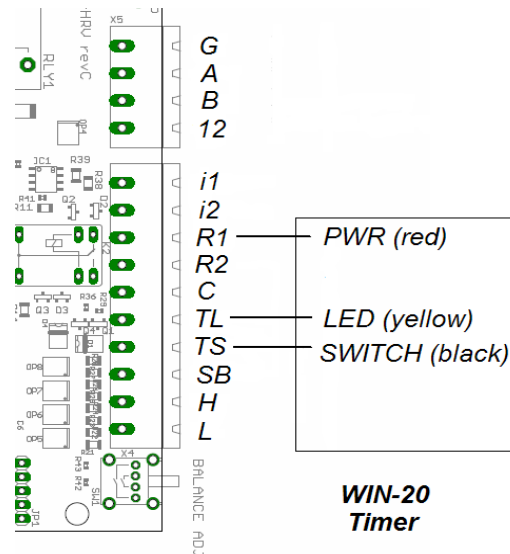
1. Up to 6 Win-20 timers may run off of one system.
2. WIN-20 can be combined with ES Series controls or 24V controls.
3. If you are using **ONLY** a **WIN-20** to control your unit, you must connect a jumper wire between an “R” terminal 2 and SB. Alternatively, you can add continuous low speed operation by connecting a jumper wire between an “R” terminal and L/Lo.

4. For CV0802 control board, if you are using **ONLY** a **WIN-20** to control your unit, a jumper wire is required between 24 V COM and CONT “II or 24 V COM and INT “I.
5. Heed local Building Codes if they require a centrally located switch with on/off capability.

Rev H control board (April 2013-)



Rev C Control board (Pre-April 2013)



For Rev C control boards, care must be taken to not cross wires for LED and PWR circuits. Crossing these circuits will permanently illuminate the LED on the Win-20 Timer.

CV0802 control board (Windsor Series only, Pre-January 2012)

