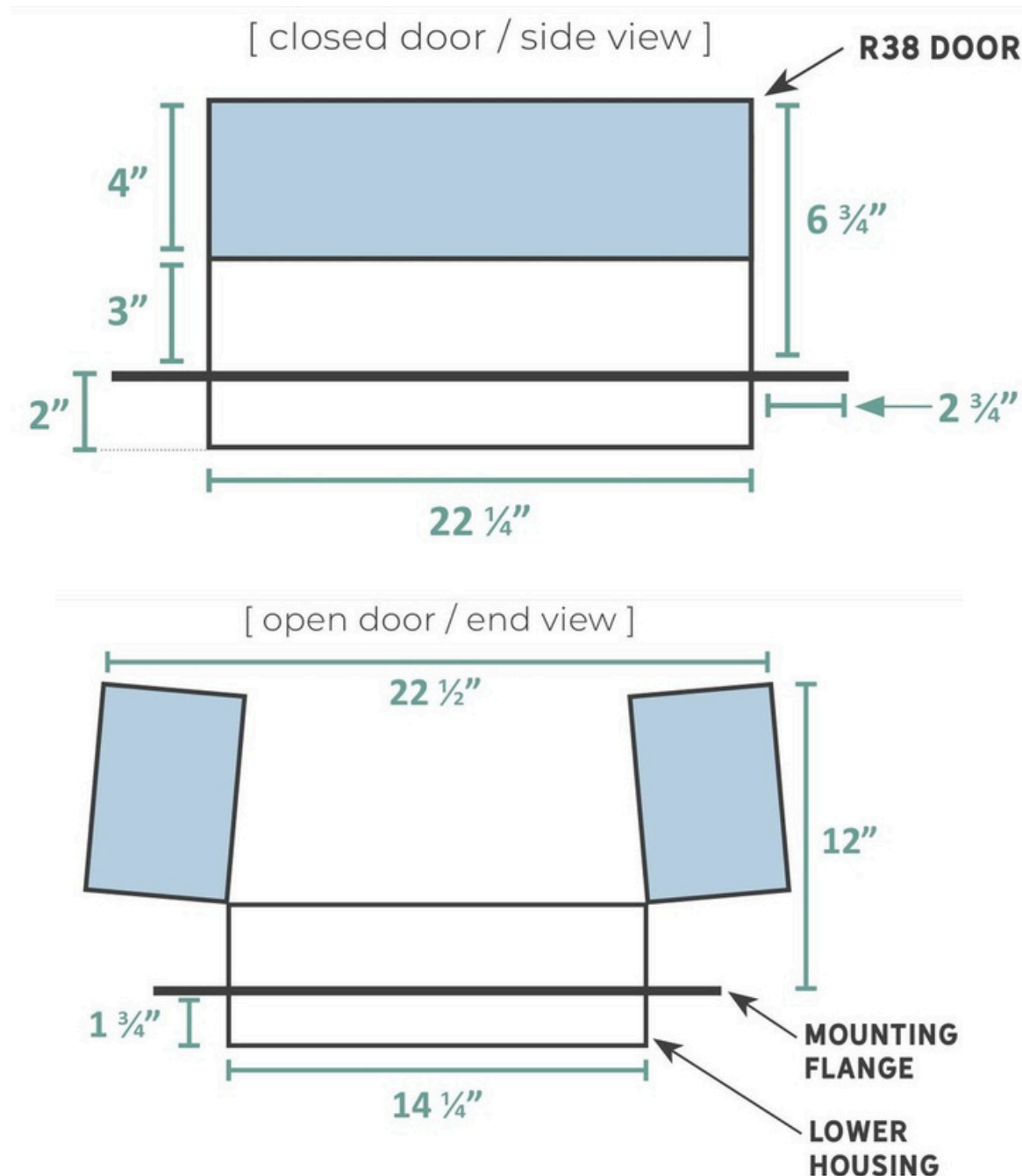


# HV1600 R38

## WHOLE HOUSE FAN

**TAMARACK**  
Ventilation  
774-678-4433

- FEATURES**
- Quickly exhausts 1530 CFM\* | Cools & ventilates the entire home using fresh outside air
  - Energy efficient at only 233 W
  - Mechanical self-sealing doors with R38 insulation  
Also available with R50 insulation
  - Install horizontally in the framing of the attic floor
  - Fits 16" or 24" on-center joists | No joist-cutting required
  - Maintenance-free
  - Controlled by remote, SPST wall switch, or spring-wound non-digital timer (Hardwired configuration is optional. Switch and timer not included with fan purchase)\*\*  
Not compatible with other types of timers
  - 3-year limited warranty



## SPECS

Airflow (CFM): high speed **1530** low **1150**

Electrical requirements: **115/120 VAC, 60 Hz**

Power usage (Watts): **233 W**

Doors insulation value: **R38**

Rough opening: **14 1/2" x 22 1/2"**

White metal ceiling grille: **15 3/4" x 25 3/4"**

Operation: **2 speeds / 30 second delay as the doors open before the fans start**

Attic net free ventilation area needed for optimal performance: **2.5 square feet**

Weight: unit **26 lbs** shipping **38 lbs**

Purchase includes: **(1) HV1600, (1) Ceiling grille, (2) Remote controls**

Optional accessory: **HV Muffler/Insulation Barrier**



\*CFM rates were measured in a controlled test environment.

Results will vary due to building construction

\*\*All other controls will void the product warranty

