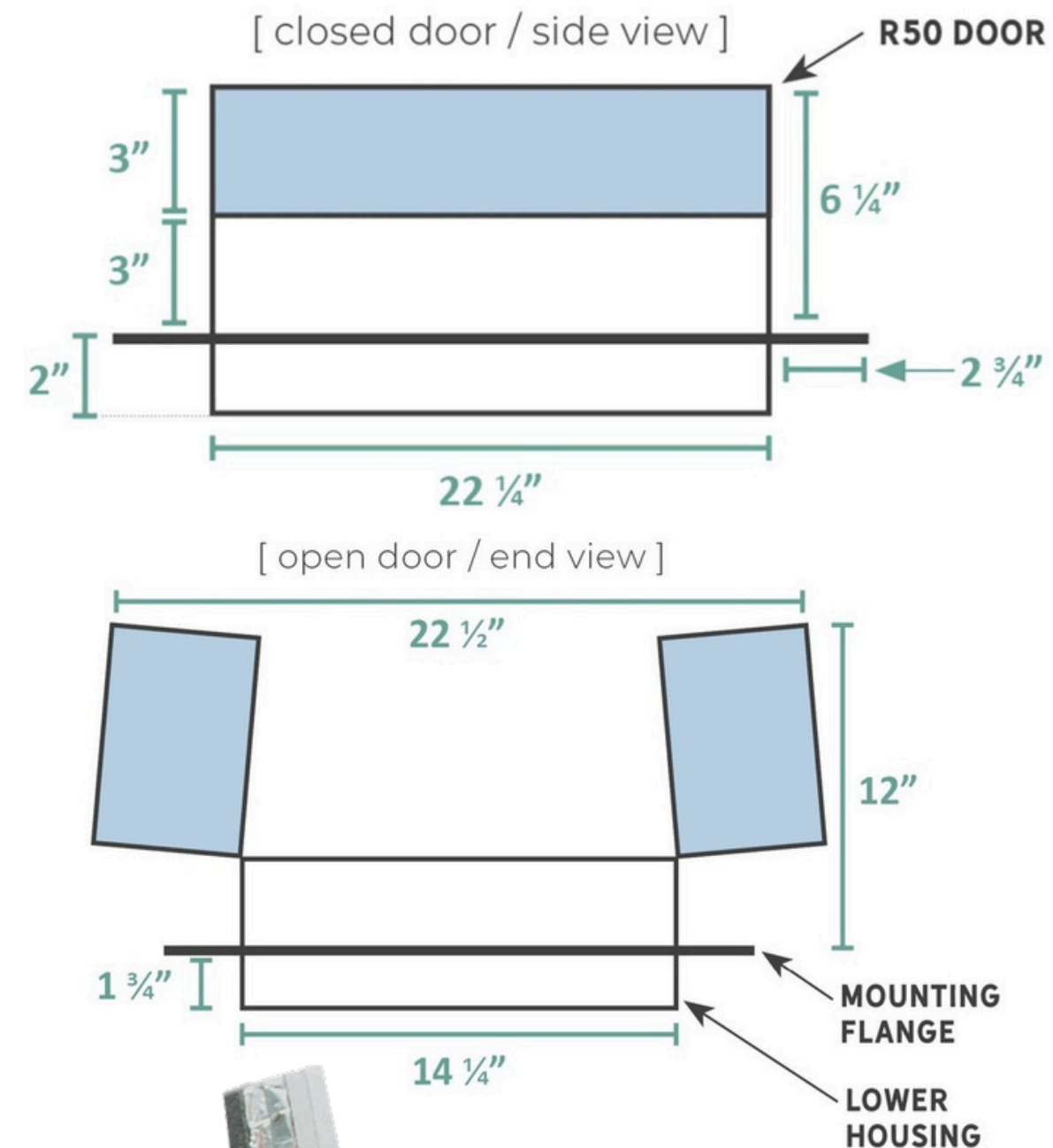


HV1600 R50

WHOLE HOUSE FAN

TAMARACK
Ventilation
774-678-4433

- FEATURES**
- Quickly exhausts 1530 CFM* | Cools & ventilates the entire home using fresh outside air
 - Energy efficient at only 233 W
 - Mechanical self-sealing doors with R50 insulation
 - Install horizontally in the framing of the attic floor
 - Fits 16" or 24" on-center joists | No joist-cutting required
 - Maintenance-free
 - Controlled by remote, SPST wall switch, or spring-wound non-digital timer (Hardwired configuration is optional. Switch and timer not included with fan purchase)**
Not compatible with other types of timers
 - 3-year limited warranty



SPECS

- Airflow (CFM): high speed **1530** low **1150**
- Electrical requirements: **115/120 VAC, 60 Hz**
- Power usage (Watts): **233 W**
- Doors insulation value: **R50**
- Rough opening: **14 1/2" × 22 1/2"**
- White metal ceiling grille: **17 3/4" × 25 3/4"**
- Operation: **2 speeds / 30 second delay as the doors open before the fans start**
- Attic net free ventilation area needed for optimal performance: **2.5 square feet**
- Weight: unit **27 lbs** shipping **40 lbs**
- Purchase includes: **(1) HV1600, (1) Ceiling grille, (2) Remote controls**
- Optional accessory: **HV Muffler/Insulation Barrier**



*CFM rates were measured in a controlled test environment.
Results will vary due to building construction
**All other controls will void the product warranty