

**TC1000****ALL WEATHER VENTILATOR  
PRODUCT MANUAL & INSTALLATION GUIDE**

Serial Number \_\_\_\_\_

Date of Purchase \_\_\_\_\_

Place of Purchase \_\_\_\_\_

The serial number is located on the shipping carton and on a label affixed to the upper housing.

**READ AND SAVE THESE INSTRUCTIONS**

**Unpacking Your TC:** When you have unpacked your TC carefully you will find the following:

**TC1000-T**

One (1) TC1000-T All Weather Ventilator  
One (1) Line Voltage Thermostat

**TC1000-H**

One (1) TC1000-H All Weather Ventilator  
One (1) Wall Switch (SPST)

**The TC1000 can be installed in one of three ways:**

- **In a glazing system** – The TC1000 must be installed by a qualified installer. If it is to be installed in a double-glazing system, an internal spacer to match the thickness of the glazing must be factory installed, or one fabricated on the site. If a spacer is site fabricated, please note that it must be installed UNDER the fan.
- **On a conventional or stress skin panel roof** – The TC1000 will have no internal spacer – its flanges will be ¼” thick. After a 12 ¾” x 27 ¾” rough opening is cut through the roof, a sheet metal “thimble” should be installed to line the opening cover the opening in the ceiling.
- **On a vertical wall** – We strongly suggest installing a piece of flashing above the TC1000 to sweep the rain away before it hits the edge of the fan.

**⚡ WARNING:** TO REDUCE THE RISK OF FIRE, ELECTRIC SHOCK, OR INJURY TO PERSONS, OBSERVE THE FOLLOWING:

- ⚡ Use this unit in the manner intended by the manufacturer. If you have any questions, contact the manufacturer.
- ⚡ Before servicing or cleaning unit, switch power off at service panel and lock service panel to prevent power from being switched on accidentally. When the service disconnect cannot be locked, securely fasten a prominent warning device, such as a tag, to the service panel.
- ⚡ When cutting or drilling into a wall or ceiling, do not damage electrical wiring or other hidden utilities.
- ⚡ Never place a switch where it can be reached from a tub or shower.
- ⚡ Do not use this fan over a tub or shower
- ⚡ Do not use this fan over cooking appliances.

**⚡ WARNING:** To Reduce The Risk of Fire or Electric Shock, Do Not Use This Fan With Any Solid-State Speed Control Device.

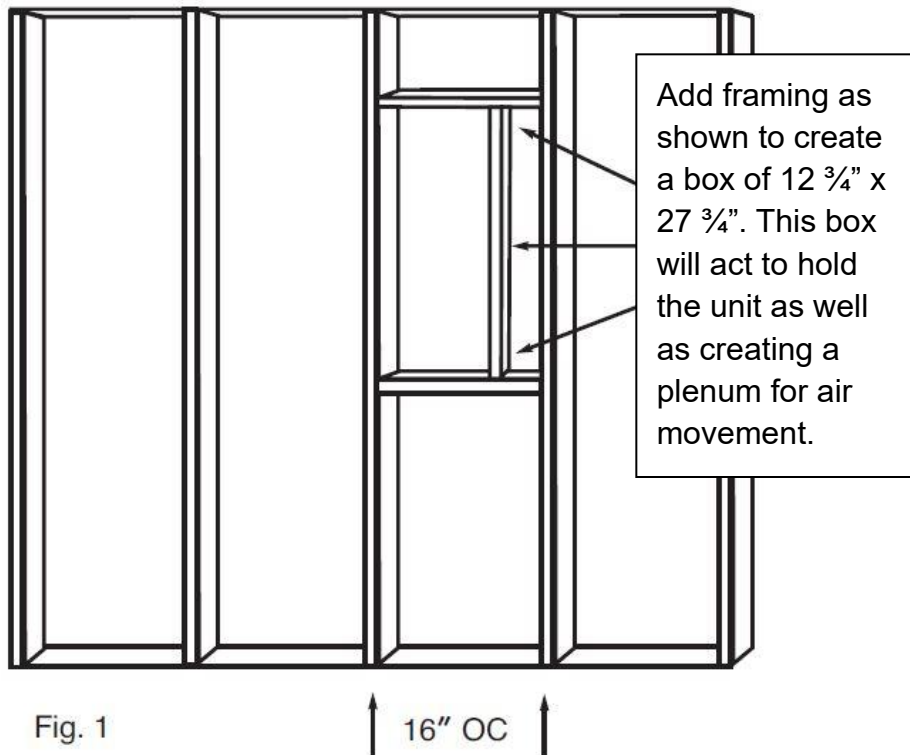
**CAUTION:** For General Ventilation Use Only. Do Not Use To Exhaust Hazardous Or Explosive Materials And Vapors.

## Installation

### Installing the TC1000 in a Wall

You will need the following items:

- Two pieces of 2X stock to match your existing framing
- Saw to cut the hole in the wall
- Hammer or screw gun to attach the blocking to the existing frame
- Phillips head screwdriver to attach the grille
- Weather strip material
- Low expansion spray foam sealant



1. Create a box to hold the unit (Fig. 1)
  2. Remove the sheathing that covers the box.
  3. Attach TC1000, screwing through the mounting flange.
  4. Install exterior finish materials over the mounting flange.
- Note: Additionally flashing may be required above the unit to divert rain.
5. Remove any interior materials covering the box.
  6. Install interior finish materials to trim the frame.
  7. Attach optional grille to finish installation.

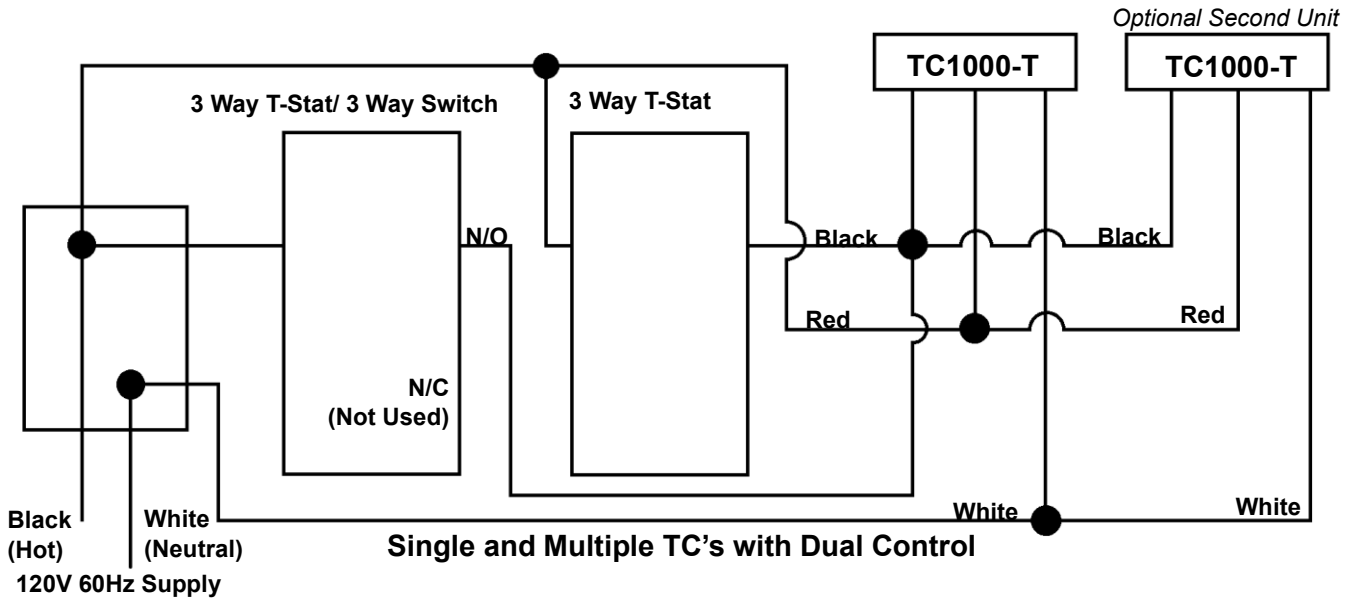
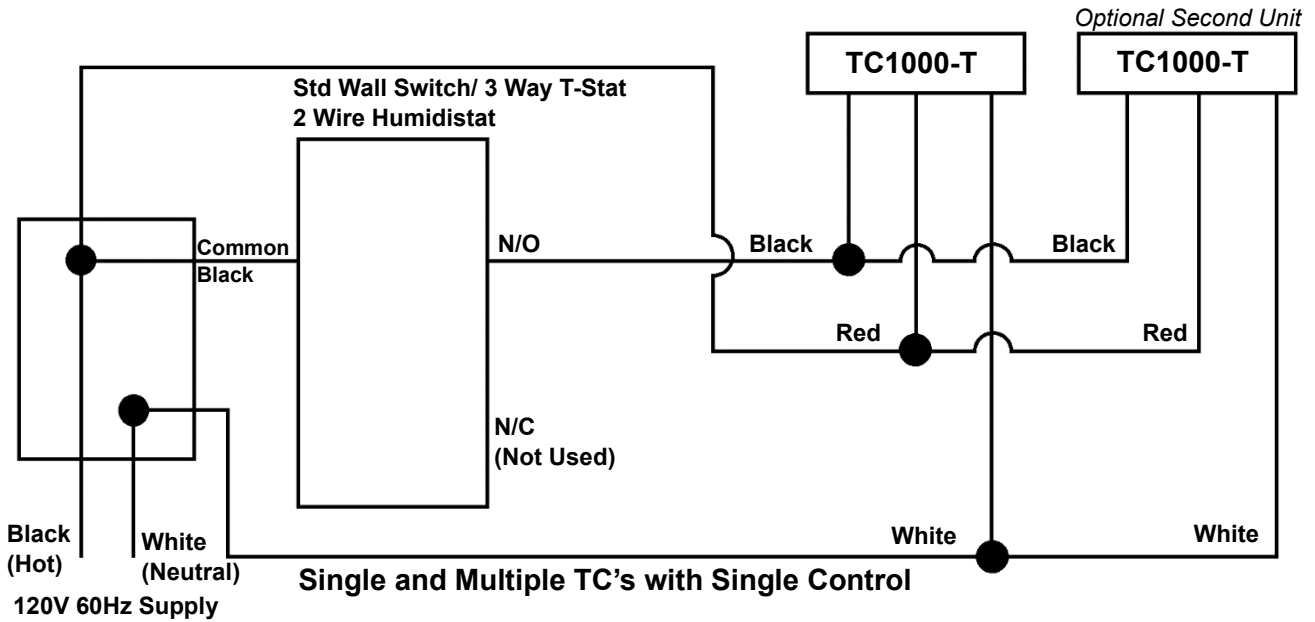
# Wiring

Be sure to tighten the strain relief prior to replacing the baseplate.

**Important** – Wiring the TC is different than a normal ON/OFF fan. The TC damper is motorized and requires a constant source of power; power to open and power to close. The TC1000-T comes with a wall mounted, line voltage thermostat. This thermostat is surface mounted and should be positioned at eye level. The TC1000-H comes with an SPST wall switch that is mounted in a standard single gang electrical box. A 3-wire will need to be run between the control point and the TC regardless of the model. Please follow the instructions carefully. It is recommended that the wiring of the TC be done by a licensed electrician in accordance with local code requirements.

Be sure to turn off power before wiring the TC Ventilation Fan

Please note that if the TC1000 is installed in an enclosure with a spa or hot tub or pool, a humidistat (optional item) as well as thermostat must be installed. We strongly recommend a non-chlorine-based chemical for over the water applications.



# Troubleshooting

The most common installation error is caused by incorrect wiring. Be sure that each of the three (3) wires in the TC1000 are connected individually. There is a 30 second delay after the control is activated and the damper opens before the fan motors start

## Care

All the motors in the TC are permanently sealed and do not require oiling. To keep dirt, dust, and debris from the fans we recommend that you periodically remove the grille from within the living space and dust the fan blades. Please remember to make sure that the electrical circuit is OFF before dusting the fan blades.

## Specifications

Power Requirements.....	120 VAC, 60 Hz, 240 Watts, 2.0 A
Airflow.....	800 CFM
Effective R-value.....	R 10.0
Rough Opening.....	12 3/4" x 27 3/4"
Cover Height above Flange.....	1/2"
Weight of TC1000-T.....	Up To 30 lbs.
Weight of TC1000-H.....	19 lbs.
Warranty.....	3 Years

*E.S Lab tested HVI 916 182CFM required for CA only.*

**LIMITED WARRANTY** If, within the period of three years from the date of purchase, the TC1000 (the Product) is defective or malfunctions in normal home use, Tamarack Technologies, Inc. will repair or replace the Product, at its discretion. Customer is responsible for shipping charges.

### CONDITIONS, EXCLUSIONS, AND LIMITATIONS

This warranty is subject to the following conditions, exclusions, and limitations:

THIS WARRANTY DOES NOT COVER PROBLEMS RESULTING FROM INSTALLATION, OPERATION, OR MAINTENANCE THAT HAS BEEN UNDERTAKEN OTHER THAN IN ACCORDANCE WITH THE INSTRUCTIONS. THIS WARRANTY DOES NOT COVER PROBLEMS RESULTING FROM DEFECTS IN OR CAUSED BY ASSOCIATED EQUIPMENT (FURNACES, SOLARIA, ETC.); FROM REPAIRS OR MODIFICATIONS ATTEMPTED BY PERSONS OTHER THEN TAMRACK TECHNOLOGIES, INC.; FROM ABUSE, ACCIDENTAL, SHIPPING DAMAGES, OR ACTS OF GOD. THIS WARRANTY DOES NOT APPLY TO THE PRODUCT USED OUTSIDE THE UNITED STATES, ITS TERRITORIAL POSSESIONS, AND CANADA. EXCEPT AS SET FORTH ABOVE, NO EXPRESS OR IMPLIED WARRANTY IS GIVEN OR AUTHORIZED BY TAMARACK TECHNOLOGIES, INC. AND ALL OTHER SUCH WARRANTIES ARE EXPRESSLY DISCLAIMED. ANY WARRANTY OR MERCHANTABILITY OF FITNESS FOR ANY PARTICULAR PURPOSE SHALL BE LIMITED TO THE WARRANTY HEREUNDER. MOREOVER, ANY LIABILITY OF TAMARACK TECHNOLOGIES, INC. FOR THE PRODUCT SHALL BE LIMITED TO THE REPLACEMENT VALUE OF THE PRODUCT. IN NO EVENT SHALL TAMARACK TECHNOLOGIES, INC. BE LIABLE FOR ANY INCIDENTAL DAMAGES OR FOR ANY CONSEQUENTIAL PROPERTY OR COMMERCIAL DAMAGES, IRRESPECTIVE OF THE CAUSE THEREOF, OCCURRING EITHER DURING OR AFTER THE WARRANTY PERIOD, INCLUDING WITHOUT LIMITATION ANY DAMAGES TO ANY PART OF A BUILDING OR ITS CONTENTS. NOTE: SOME STATES DO NOT ALLOW THE EXCLUSION OR LIMITATION OF INCIDENTAL OR CONSEQUENTIAL DAMAGES AND SOME STATES DO NOT ALLOW LIMITATIONS ON HOW LONG AN IMPLIED WARRANTY LASTS, SO THE ABOVE LIMITATIONS OR EXCLUSIONS MAY NOT APPLY TO YOU. THIS WARRANTY GIVES YOU SPECIFIC LEGAL RIGHTS AND YOU MAY ALSO HAVE OTHER RIGHTS THAT VARY FROM STATE TO STATE. **PROOF OF PURCHASE REQUIRED.**