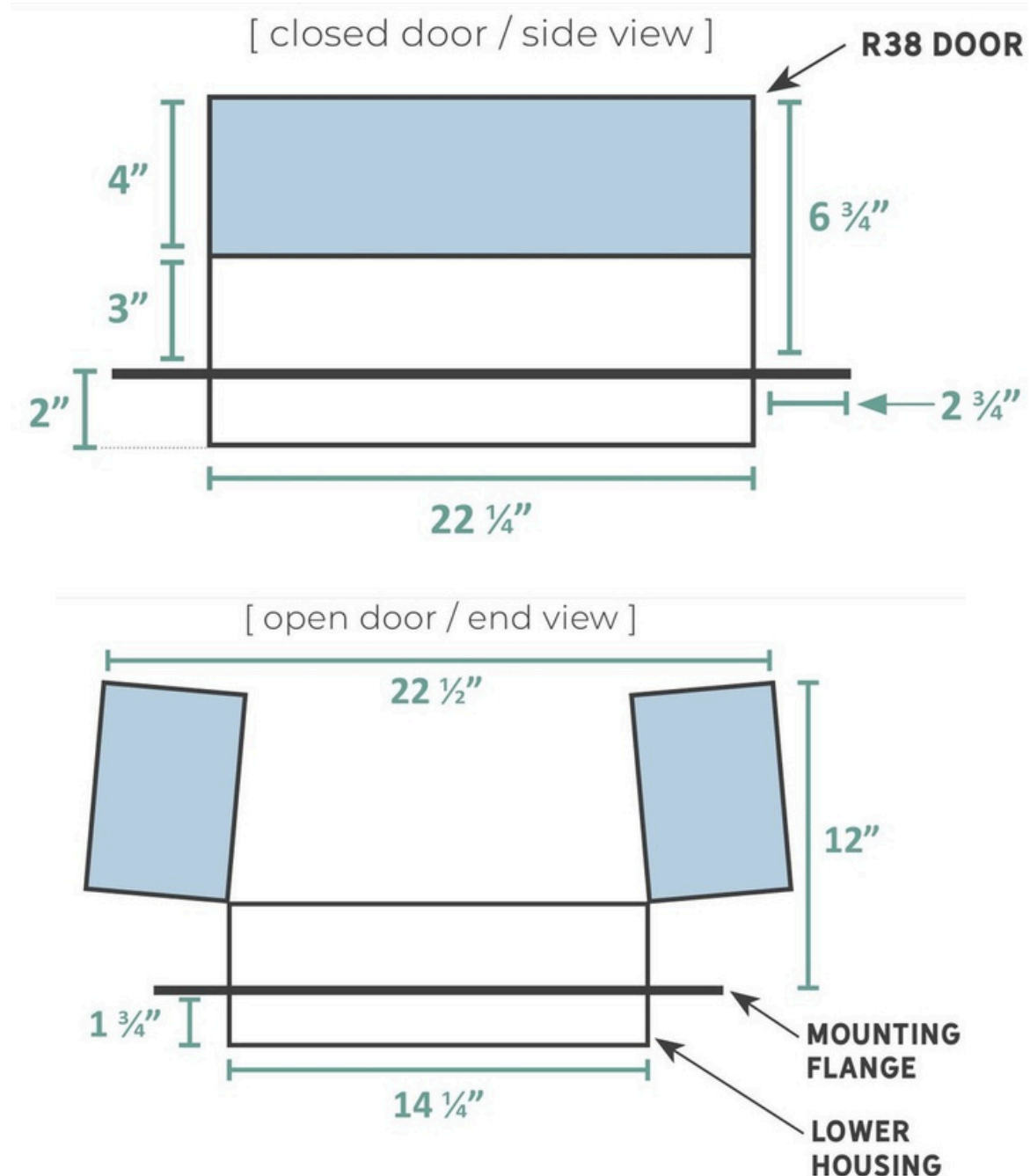


HV1000 R38

WHOLE HOUSE FAN

TAMARACK
Ventilation
774-678-4433

- FEATURES**
- Quickly exhausts 1000 CFM* | Cools & ventilates the entire home using fresh outside air
 - Energy efficient at only 63 W
 - Mechanical self-sealing doors with R38 insulation
Also available with R50 insulation
 - Install horizontally in the framing of the attic floor
 - Fits 16" or 24" on-center joists | No joist-cutting required
 - Maintenance-free
 - Controlled by a SPST wall switch or spring-wound non-digital timer (not included with fan purchase)**
Not compatible with other types of timers
 - 3-year limited warranty



SPECS

Airflow (CFM): **1000**

Electrical requirements: **115/120 VAC, 60 Hz**

Power usage (Watts): **63 W**

Doors insulation value: **R38**

Rough opening: **14 1/2" × 22 1/2"**

White metal ceiling grille: **17 3/4" × 25 3/4"**

Operation: **1 speed / 30 second delay as the doors open before the fans start**

Attic net free ventilation area needed for optimal performance: **1.5 square feet**

Weight: unit **20 lbs** shipping **33 lbs**

Purchase includes: **(1) HV1000, (1) Ceiling grille, (1) Electrical box cover**

Optional accessories: **HV Muffler/Insulation Barrier, HV1000 Remote control**



*CFM rates were measured in a controlled test environment.
Results will vary due to building construction
**All other controls will void the product warranty

